



**HAL**  
open science

## Beneficiation of concentrated ultrafine suspensions with a Falcon UF concentrator

Jean-Sébastien Kroll-Rabotin, Florent Bourgeois, Éric Climent

► **To cite this version:**

Jean-Sébastien Kroll-Rabotin, Florent Bourgeois, Éric Climent. Beneficiation of concentrated ultrafine suspensions with a Falcon UF concentrator. *Canadian Institute of Mining Journal* , 2011, 2 (4), pp.189-198. hal-02086275

**HAL Id: hal-02086275**

**<https://hal.univ-lorraine.fr/hal-02086275>**

Submitted on 20 Jan 2022

**HAL** is a multi-disciplinary open access archive for the deposit and dissemination of scientific research documents, whether they are published or not. The documents may come from teaching and research institutions in France or abroad, or from public or private research centers.

L'archive ouverte pluridisciplinaire **HAL**, est destinée au dépôt et à la diffusion de documents scientifiques de niveau recherche, publiés ou non, émanant des établissements d'enseignement et de recherche français ou étrangers, des laboratoires publics ou privés.



## Open Archive TOULOUSE Archive Ouverte (OATAO)

OATAO is an open access repository that collects the work of Toulouse researchers and makes it freely available over the web where possible.

This is an author-deposited version published in : <http://oatao.univ-toulouse.fr/>  
Eprints ID : 7907

To link to this article :

URL : <http://www.cim.org/en/Publications-and-Technical-Resources/Publications/Journals/2011/10/CIMJournalVol2No4/BeneficiationofconcentratedultrafinesuspensionswithaFalconUFconcentrator.aspx>

To cite this version :

Kroll-Rabotin, Jean-Sébastien and Climent, Eric and Bourgeois, Florent *Beneficiation of concentrated ultrafine suspensions with a Falcon UF concentrator*. (2011) Canadian Institute of Mining Journal , vol. 2 (n° 4). pp. 189-198. ISSN 1923-6026

Any correspondence concerning this service should be sent to the repository administrator: [staff-oatao@listes.diff.inp-toulouse.fr](mailto:staff-oatao@listes.diff.inp-toulouse.fr)

## Beneficiation of concentrated ultrafine suspensions with a Falcon UF concentrator

J.-S. Kroll-Rabotin

University of Alberta, Department of Chemical and Material Engineering,  
Pipeline Transport Processes Research Group, Edmonton, Alberta

F. Bourgeois and É. Climent

Université de Toulouse, INPT, UPS, Laboratoire de Génie Chimique, France;  
CNRS, Fédération de recherche Fermat, Toulouse, France

**ABSTRACT** Falcon concentrators are enhanced gravity separators designed for concentrating fine particles. The Falcon UF model is unique in that it is dedicated to beneficiation of ultrafines, one key feature being that it does not make use of any fluidization water. We investigated the physics of particle transport inside Falcon concentrators, and concluded that separation efficiency is governed by differential settling velocity. We derived and published a predictive model of the partition function under dilute conditions. We intend to extend the initial model to concentrated ultrafine suspensions for application to industrial scenarios by adding hindered settling to account for solid concentration effects.

■ **KEYWORDS** Centrifugal, Gravity, Concentration, Falcon UF, Modelling

**RÉSUMÉ** Les concentrateurs Falcon sont des séparateurs gravimétriques améliorés conçus pour concentrer les particules fines. Le modèle Falcon UF est unique en ce qu'il est dédié à l'enrichissement des ultrafins; une des caractéristiques clés est qu'il n'utilise pas d'eau de fluidisation. Nous avons étudié la physique du transport des particules dans les concentrateurs Falcon et nous avons conclu que l'efficacité de séparation est régie par la vitesse différentielle de sédimentation. Nous avons produit et publié un modèle prédictif de la fonction de partition sous des conditions de dilution. Nous prévoyons étendre le modèle initial à des suspensions concentrées d'ultrafins dans le but de l'appliquer à des scénarios industriels par l'ajout d'une sédimentation entravée pour tenir compte des effets de concentration des solides

■ **MOTS CLÉS** Centrifuge, Gravité, Concentration, Falcon UF, Modélisation

### INTRODUCTION

The Falcon concentrator is a rapidly spinning bowl that is fed at its centre of rotation. It uses centrifugal force to separate particles that are transported in a thin liquid film that flows upward along the inclined wall of the bowl (McAlister & Armstrong, 1998). Due to differential settling, dense and coarse particles are concentrated inside the bowl whereas light and fine particles are rejected with the overflow stream. The fast rotation speed of the bowl yields a high centrifugal force several hundred times the force of gravity. Despite the thinness of the liquid film (between 100  $\mu\text{m}$  and 1 mm with a Falcon L40) where separation takes place, the Falcon concentrator can treat

high flow rates (up to 30 L/min with a Falcon L40). At the bottom of the bowl, an impeller transmits the bowl rotation to the feed, which drains upward by centrifugal force as soon as it hits the base of the spinning bowl (Figure 1).

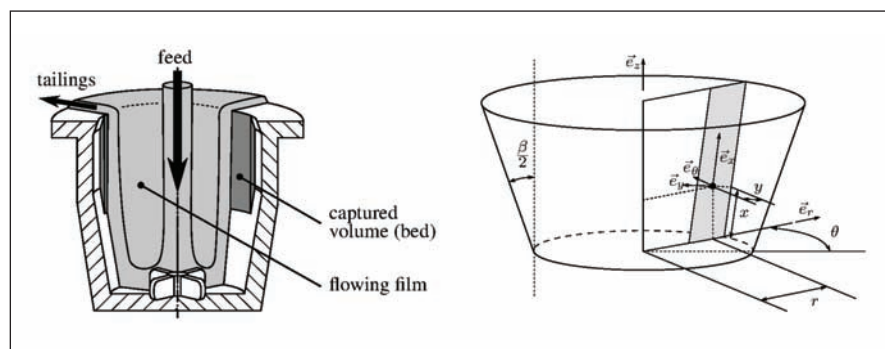


Figure 1. Schematics of the Falcon UF bowl and corresponding notations describing its geometry.

## MODELLING THE FALCON UF CONCENTRATOR

In a previous article (Kroll-Rabotin et al., 2010), it has been justified that particle transport in the liquid film is the driving separation mechanism inside the Falcon UF. Because ultrafine particle transport is dictated by the flow field, it is possible to predict the separation that takes place inside a Falcon UF concentrator by combining knowledge of the fluid flow field inside the flowing film with some hypotheses about particle capture based on observations by Deveau (2006).

### Particle transport modelling

Our hydrodynamic model views particles as point particles. From a purely theoretical viewpoint, this means our sedimentation-driven model is valid provided particles do not affect fluid flow and do not interact with each other. In practice, this implies that particles must be finer than the film thickness. Because film thickness is a few hundred microns at most, we expect that the theoretical domain of validity of our model extends to  $\sim 100$  micrometer particles.

By studying the composition of the particle bed that forms on the bowl surface with ultrafine mineral suspensions in the 10–100  $\mu\text{m}$  range, Deveau et al. (Deveau & Young, 2005; Deveau, 2006) show the presence of a higher grade concentrate at the surface of the bed. This observation means that the particle bed does not undergo significant rearrangement over time, otherwise lighter particles would tend to be driven out of the bed by denser particles, which would contradict Deveau's observations. This is consistent with our assumption that differential settling velocity is the mechanism that governs separation of ultrafine particles in a Falcon UF concentrator. In addition, because of their low inertia, it is logical to assume that ultrafine particles that have been entrained in the bed cannot make their way out of the bed. In other words, resuspension of particles from the bed into the flowing film is negligible. In the end, our model assumes that every particle that reaches the surface of the bed that builds up on the bowl surface is trapped and reports to the concentrate.

### Velocity field inside the flowing film

From visual observation made by removing the cover of the bowl during operation, it is obvious that the film thickness is thinner than

1 mm. We did, however, compute the flow over the conical wall of the Falcon L40 concentrator with direct numerical simulation (DNS) to assess the actual film thickness.

Figure 2 shows how single-phase DNS simulation was used to estimate film thickness. The  $x$ -axis represents the position along the bowl wall (distance from the inlet) and the  $y$ -axis represents the distance to the wall. As shown in Figure 2, velocities  $u_x$ ,  $u_y$ , and  $u_\theta$  are the fluid velocity in the direction parallel to the wall, the fluid velocity perpendicular to the wall, and the azimuthal fluid velocity, respectively. The simulation domain being larger than the actual film thickness, the fluid flow splits into two clearly distinct regions. In the region closest to the wall, the fluid has the same rotation speed  $u_\theta$  as the bowl. It is this rotation combined with the outward opening angle of the bowl that drains the fluid upward. Moving to the second region away from the wall (i.e., closer to rotation axis), the fluid velocity  $u_x$  in the direction parallel to the wall becomes null, meaning that this region does not contribute to flow rate. Once the flow has reached its established profile, component  $u_y$  also becomes null so that the flow in this region is only a rotation as a solid body, slower than the bowl's rotation.

By differentiating these two zones based on their distinct flow regimes, it is possible to estimate the thickness of the film. In Figure 2, the film actually corresponds to the thin zone close to the bowl surface with a nonzero flowrate. We decreased the film thickness starting at 500 microns (see Figure 2) until we found only one flow regime throughout the film thickness. Figure 3 corresponds to such a condition,

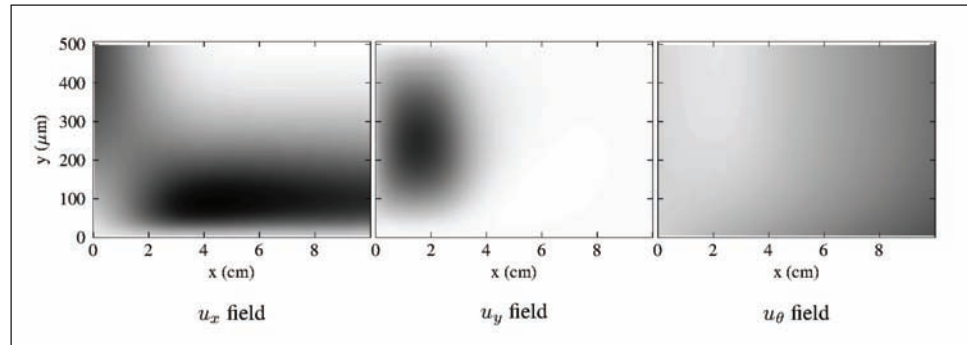


Figure 2. Flow field computed by DNS for  $Q = 2$  L/min,  $\omega = 1000$  rpm with a film thickness of 500  $\mu\text{m}$ .

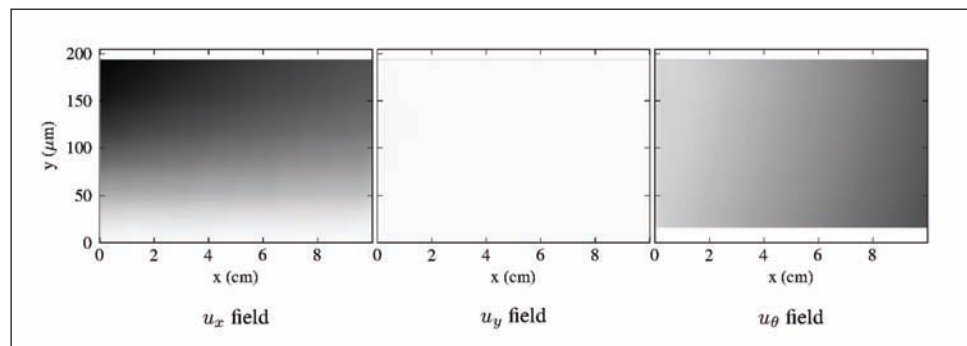


Figure 3. Flow field computed by DNS for  $Q = 2$  L/min,  $\omega = 1000$  rpm with a film thickness of 200  $\mu\text{m}$ .

with a film thickness just below 200 microns. This thickness depends on operating conditions; 2 L/min and 1000 rpm were used to calculate Figures 2 and 3.

Knowledge of the film thickness allows us in our modelling to impose proper slip conditions at the air/water interface due to the high ratio between the respective viscosities of the two phases. With such conditions, the flow velocity profile calculated by DNS matches the hypothesized flow field already reported by Kroll-Rabotin et al. (2010): a parabolic profile in the streamwise direction ( $x$  direction in Figure 1) that can be scaled with respect to film thickness and a solid body rotation in the azimuthal direction.

In Figures 2 and 3, we observe that the flow is fully developed and predictable almost immediately after the film inlet and that the velocity profile stays the same along the entire bowl length. Moreover, this observation does not depend on the velocity profile one may choose at the inlet of the film. Consequently, it is not necessary to account for any effect that the impeller may have on the flow field at the film inlet: The role of the impeller is limited to giving the fluid a high enough initial velocity to avoid filling up the bowl.

As shown by Makarytchev et al. (1997), the film undergoes continuous thinning over the bowl length. However, this thinning has no effect on the velocity profile in the  $y$ -direction; hence, we assume a constant thickness over the bowl length in the model. Following the analytical law given by Makarytchev et al. (1997), the ratio between inlet and outlet thickness is  $(1 + L/R_0 \sin[\beta/2])^{-2/3}$ , which is higher than 0.8 with a Falcon L40. In the end, we use a constant film thickness equal to that calculated by DNS.

**Criterion for particle capture** Under the assumption that every particle that enters the bed is captured, the prediction of separation simplifies to predicting particle trajectories inside the film. Depending on the solution that may be used to solve the transport problem, the separation process is quantified by either the particle trajectories that intersect the bowl surface (which yields recovery to the heavy stream) or those that intersect the outlet film boundary (which yields recovery to the light stream).

The trajectory of any given particle depends on its density and size, its initial distance to the wall ( $Y_0$ ) at the film inlet, and the operating conditions of the Falcon. Each particle follows a specific trajectory through the liquid film until it either hits the bowl or it reaches the end of the film and exits the bowl. We refer to the distance between the film inlet and the point at which the particle hits the wall as the sedimentation length (see Figure 1). Comparing this sedimentation length to the actual bowl length yields an objective criterion for particle capture.

To compute particle recovery to concentrate ( $C_p$ ) from the trajectory-based capture criterion, we must quantify the fraction of particles whose sedimentation length is less than

the bowl length or alternatively the fraction of particles whose sedimentation length is greater than the bowl length.

We assume that the four-blade propeller mixes the feed particles homogeneously at the inlet of the film. In other words, the distribution of particles is assumed to be uniform across the whole film thickness at the film inlet. This uniform distribution implies that the flux of particles that enter the film at elevation  $Y_0$  inside the film is directly proportional to the fluid velocity profile at the same elevation. By combining feed washability and particle trajectory predictions, concentrate and tailings washabilities can be predicted along with the Falcon partition function.

### Particle trajectories in the liquid film

**Force balance** The criterion of capture is based on the particle trajectories moving through the flowing film. More precisely, we need to predict the trajectory of the ultimate particle reaching the bowl outlet. These trajectories can be calculated by integrating Newton's second law (Equation 1) with forces given in Equation 2a-d.

$$\rho_p v_p \frac{d\vec{v}}{dt} = \sum \vec{F} \quad (1)$$

The forces experienced by moving particles (volume  $v_p$ ) within the flowing film (Clift et al., 1978) are:

- buoyancy (Equation 2a), which is due to density difference between the solid particles ( $\rho_p$ ) and the fluid ( $\rho_f$ ) under the action of gravity ( $g$ );
- the effect of the pressure gradient (Equation 2b);
- the added mass force (Equation 2c) due to inertia of the fluid either due to flow or particle acceleration; and
- the drag force (Equation 2d), which accounts for pressure and viscous contributions.

$$\vec{F}_B = (\rho_p - \rho_f) v_p \vec{g} \quad (2a)$$

$$\vec{F}_G = \rho_f v_p \frac{D\vec{u}}{Dt} \quad (2b)$$

$$\vec{F}_M = \rho_f v_p C_M \left( \frac{D\vec{u}}{Dt} - \frac{d\vec{v}}{dt} \right) \quad (2c)$$

$$\vec{F}_D = \frac{1}{2} \rho_f S_p C_D |\vec{u} - \vec{v}| (\vec{u} - \vec{v}) \quad (2d)$$

Forces  $F_G$ ,  $F_M$ , and  $F_D$  depend on the fluid velocity ( $u$ ) at the particle position and on spatial gradients ( $Du/Dt$ ). The added-mass coefficient  $C_M = 1/2$ , whereas  $C_D$  depends on the particulate Reynolds number. We have neglected the history and lift forces.

**Analytic scaling law** An estimate of the particle velocity can be obtained by neglecting the particle slip velocity along the main flow direction and simply balancing drag and centrifugal forces (Kroll-Rabotin et al., 2010). Using Stokes' drag law, the settling velocity normal to the wall is calculated and yields a theoretical prediction of the settling length along the bowl wall (Equation 3a-b).

$$\angle^{1+\alpha} \propto \frac{9}{4\pi} Q \omega^{-2} r_p^{-2} (\rho_p - \rho_f)^{-1} \mu R_0^{-2+\alpha} \left( \cos \frac{\beta}{2} \right)^{-1} \quad (3a)$$

$$\alpha = \frac{\ln\left(1 + \frac{L}{R_0} \sin \frac{\beta}{2}\right)}{\ln\left(\frac{L}{R_0}\right)} \quad (3b)$$

In this equation, the operating conditions of the bowl fix the flow rate ( $Q$ ) and its spinning rate ( $\omega$ ). Regarding the particle properties, we need to know the particle radius ( $r_p$ ) and its density ( $\rho_p$ ), while the properties characterizing carrying fluid are its dynamic viscosity ( $\mu$ ) and its density ( $\rho_f$ ). The bowl's geometrical characteristics are its base radius ( $R_0$ ) and the cone angle ( $\beta$ ). Because this equation is based on Stokes' drag law, the estimate of the settling speed is only valid for low particulate Reynolds numbers ( $Re_p < 1$ ). As a result of Equation 4, it is possible to determine the range of validity of these assumptions for given operating conditions.

$$Re_p \approx \frac{4}{9} \left( \frac{\rho_p}{\rho_f} - 1 \right) \frac{\omega^2 r_p^3 R}{\nu^2} \quad (4)$$

Under such conditions, the captured fraction of solids in the bowl for each particle type ( $C_p$ ) is

$$C_p = \min\left(\frac{9}{4\pi} Q^{-1} \omega^2 \Delta \rho r_p^2 \mu^{-1} R_0^{2-\alpha} \left( \cos \frac{\beta}{2} \right) \angle_{\text{bowl}}^{1+\alpha}, 1\right) \quad (5)$$

Therefore, the feed fraction captured in the bowl ( $C$ ) depends on the washability  $l_{\text{feed}}$  through Equation 6.

$$C = \iint l_{\text{feed}}(r_p, \rho_p) C_p(r_p, \rho_p) dr_p d\rho_p \quad (6)$$

**Numerical solution of trajectories** When the particulate Reynolds number is moderate or large ( $Re_p > 1$ ), the drag force is no longer linear with the particle velocity. Analytic estimate of the particle velocity is not possible, leading to numerical simulation of Equations 1 and 2 for particle trajectory. The drag coefficient can be approximated by the empirical law of Schiller & Naumann (1935) in Equation 7.

$$C_D = \frac{24}{Re_p} (1 + 0.15 Re_p^{0.687}) \quad (7)$$

Trajectories are then computed by numerical integration of the force balance over time. Trajectories yield particle sedimentation lengths related to their initial position across the film thickness. So, it is straightforward to locate the initial position verifying the capture criterion and, consequently, to compute the captured fraction of each particle type ( $C_p$ ). This has been extensively described in our previous paper (Kroll-Rabotin et al., 2010).

## APPLICATION OF THE MODEL TO ULTRAFINE SUSPENSIONS

From the industrial point of view, the reduction of water consumption is a major concern in physical separation processes. Using the Falcon UF concentrator without internal fluidization flow is a major asset: Water is only used as the carrier fluid in feeding suspension. The effect of suspension volumetric concentration may be a key operating parameter for real applications of the Falcon UF concentrator. However, in our previous modelling of particle Lagrangian trajectories, the assumption of isolated particles leads to noninteracting trajectories. This is flawed when the concentration is moderate or high because particle/particle hydrodynamic interactions will couple all the trajectories. The actual particle settling speed depends on the local solid fraction through a hindered correction factor. The separation process acting inside the Falcon bowl induces a variation of particle concentration along the bowl length and the bulk properties of the suspension. The model for concentrate suspensions must account for spatial variations of the volumetric concentration of the suspension within the fluid film.

### Effect of the local concentration of the suspension

The temporal evolution of the volumetric fraction ( $\phi$ ) of each particle type can be computed by accounting convective fluxes of particles through a closed surface  $S$  delimiting a finite volume  $V$  (Equation 8). The local variation of the particle velocity field ( $v$ ) must be modelled for each particle type. Due to hindrance, effect ( $v$ ) is a function of the concentration. Although we investigate the separation of ultrafine particles, their typical size does not fall below 1  $\mu\text{m}$ . Diffusion due to Brownian agitation can be neglected.

$$-\frac{d\phi}{dt} = \frac{1}{V} \int_S \phi \vec{v} \cdot d\vec{S} \quad (8)$$

**Numerical approach** Due to rotation symmetry, the evolution of concentration in the azimuthal direction does not need to be solved. The fluid film is finely discretized along its thickness and along the bowl length. The number of cells along the bowl length is  $n_l$  while we note the number of



cells across the film thickness  $n_j$ . Volumetric fractions of particles for each size and density composing the washability of the sediment are computed simultaneously in all cells within the film. The washability is also discretized through the range of density and size of the suspension that we investigate. Particles are transported by the fluid film at high speed and cell dimensions are small, so the particle residence time inside each cell is very short ( $t_s \approx 2\pi r h L / [Q n_i]$ ) compared to the operating time scales of the separation (cycle time, filling time of the retention zone). Therefore, it is relevant to use an Eulerian modelling for predicting the mean quantities such as the evolution of the local concentration, although mesh cell size might be in some cases comparable or smaller than the typical particle size.

**Finite volumes method** The film is divided into annular cells (see Figure 4) whose rectangular cross sections have indices  $i$  along the wall direction and  $j$  across the thickness. Equation 8 yields the sum of fluxes through all four faces.

$$-\frac{d\phi_{i,j}}{dt} = \frac{1}{v_{i,j}} (K_{i,j+1/2} \phi_{i,j+1/2} - K_{i,j-1/2} \phi_{i,j-1/2} + K_{i+1/2,j} \phi_{i+1/2,j} - K_{i-1/2,j} \phi_{i-1/2,j}) \quad (9)$$

The coefficients  $K_{i,j}$  are functions of the local particle velocity inside each cell.

**Boundary conditions** On the inlet section ( $i = 1$ ), the fraction of each particle type is imposed according to the composition of the processed suspension washability. At the water/air interface ( $j = n_j$ ), solid fluxes through this boundary are null (no particle is crossing the upper surface of the film). In the outlet section of the bowl ( $i = n_i$ ), a numerical boundary condition models the free exit of the suspension. We assume that the longitudinal concentration gradient is zero at the outlet. At the bowl wall, all the particles reaching the bed are captured. This means that they are withdrawn from the computation domain when they reach the solid bed at the wall. The bed dynamics are not simulated and are taken into account by an outlet boundary condition (perfect sink).

Boundary conditions in  $i = n_i$ ,  $j = 1$ , and  $j = n_j$  correspond to imposed fluxes,

which are used directly in Equation 9, where the boundary condition at  $i = 1$  is a fixed concentration.

**Steady-state solution** We are interested in the steady-state solution because the transient evolution of the concentration in the film is likely to be very short compared to the bed loading. The centrifugal settling time of the particles toward the wall is very short compared to process operating time scales. Therefore, we only seek solutions of Equation 9 at steady state.

Using the boundary conditions, the finite volumes method yields a system of algebraic equations (Equation 10).

$$\forall j \in [1, n_j], \quad \phi_{1,j} = \phi_{1,j}^0 \\ \forall i \in [2, n_i], \quad \forall j \in [1, n_j], \quad (10)$$

$$K_{i,j+1/2} \phi_{i,j+1/2} - K_{i,j-1/2} \phi_{i,j-1/2} + K_{i+1/2,j} \phi_{i+1/2,j} - K_{i-1/2,j} \phi_{i-1/2,j} = 0$$

The concentration field in the whole film can then be computed by simultaneously solving all the equations of the system, provided that we know the particle velocity field. For the dilute system, the system is linear and becomes non-linear when including hindrance effects.

**Particle velocity** Neglecting particle inertia on the left-hand side of Equation 1, we consider that particles are moving with a constant slip velocity given by the balance between the drag and the other forces.

$$\sum \vec{F} = 0 \quad (11)$$

The hypothesis that the inertial contribution can be neglected is valid for low Stokes numbers, which quantifies the

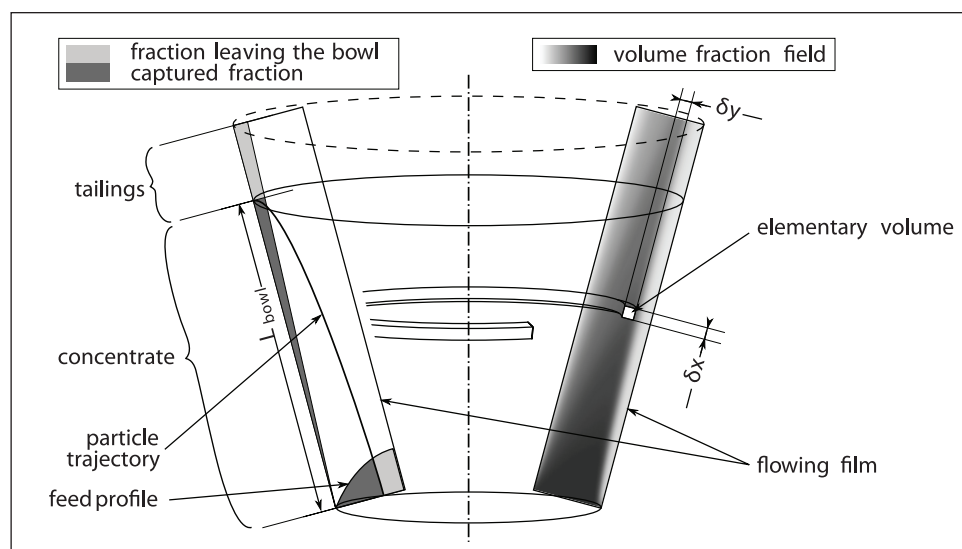


Figure 4. Two numerical approaches for predicting particle capture: Lagrangian tracking in the film (used with the dilute model) and volume fraction computation in the film (used with the concentrated model).

ratio between viscous particulate relaxation time of particles and the fluid flow time scales. Indeed, the assumption has been tested a posteriori with our simulation results. It is confirmed that for the case of ultrafine suspensions (<80  $\mu\text{m}$ ) composed of low-density solid fractions (s.g. < 3), the inertial contribution to the particle trajectory is minor: It only affects particles corresponding to ratio to product equal to 100%.

Neglecting particle inertia, the velocity field of the particles depends only on local physical properties of the suspension. It is possible to compute the particle settling velocity field ( $\vec{v}$ ) to be used in the linear system (Equation 10).

In addition, as particulate interactions become significant, other contributions supplement the force balance (Equation 2). The explicit computation of the settling velocity of particles toward the wall requires an empirical expression relating the local properties of the suspension to the hindrance effect.

The method we used was proposed by Concha & Bürger (Bürger et al., 2000; Concha & Bürger, 2002). It consists of using a hindered settling law that fits monodisperse suspension behaviour for each particle type. Meanwhile, the effect of solid concentration is accounted for in the bulk viscosity and density of the suspension (continuous medium approach). The back flow in the fluid due to particulate flux is also accounted for. We use the hindered settling law from Concha & Almendra (1979) and the suspension viscosity law from Krieger & Dougherty (1959): The bulk density is defined as the average density of water and all particle types, weighted by their respective volume fractions (Equation 12d).

In all cells of the simulation, we compute Equation 12.

$$\vec{v}_p - \vec{u}_s = \vec{v}_{C\&A} \left( r_p, \rho_p, \rho_s, \mu_s, \omega^2 \vec{r}, \sum_p \phi_p \right) \quad \text{Concha \& Almendra (1979)} \quad (12a)$$

$$\vec{u}_s = \vec{u} - \frac{\sum_p \vec{v}_{C\&A,p} \phi_p}{1 - \sum_p \phi_p} \quad \text{Burger et al. (2000)} \quad (12b)$$

$$\mu_s = \mu \left( 1 - \frac{1}{\phi_{\max}} \sum_p \phi_p \right)^{-[\eta] \phi_{\max}} \quad \text{Krieger \& Dougherty (1959)} \quad (12c)$$

$$\rho_s = \left( 1 - \sum_p \phi_p \right) \rho_f + \sum_p \phi_p \rho_p \quad (12d)$$

Using the model for dilute suspensions, these properties are always those of the carrying fluid, whereas in concentrate suspension, the whole feed washability has an impact on the results.

Equation 12c needs two empirical parameters:  $\phi_{\max}$  and  $[\eta]$ . Einstein (1956) shows that  $[\eta]$  is 5/2 for hard spheres if the particle volume fraction remains low (typically less than 5%). Thus,  $\phi_{\max}$  is the maximum volume fraction at close packing. For monodisperse hard spheres, this value is approximately  $\phi_{\max} \approx 0.63$  (McGeary, 1961). In our case, suspensions are composed of polydisperse particles (the size ratio ranging typically between 1 and 200). Small particles are able to fill open spaces between larger ones leading to  $\phi_{\max} \approx 1$ . We used the value  $\phi_{\max} = 0.8$  because above this value the viscosity evolution law (Equation 12c) for larger  $\phi_{\max}$  has a minor effect on the bulk viscosity over the range of our investigation (concentration from 0% to 40%).

### Model resolution

Because particle settling velocity depends on the local properties of the suspension in the film through the solid fraction  $\phi_p$ , Equation 12a is nonlinear and an iterative numerical method is used to calculate the fully developed steady-state flow field. Figures 4 and 8 give examples of concentration profiles that are calculated inside the film. In the end, the concentration of each particle type inside the  $n_i \times n_j$  discrete cells that are used to mesh the film is calculated. Separation is evaluated by direct summation of the concentration profile in the  $n_i$  cells that mesh the outlet of the film.

### MODEL VALIDATION

In this section, we first validate the key model hypotheses we discussed through a number of well-chosen laboratory tests with a Falcon L40 separator. We then discuss the Falcon's ability to separate ultrafine particles by interrogating the model using the washability of dredged sediments. It is worth pointing out that dredged sediments are low-density materials, with particle-specific gravity ranging between organic materials and quartz. In passing, we note that the size and density range in question overlaps with that of fine coal tailings.

### Laboratory-scale experiments

Model validation testwork was done with a suspension of silica particles. From their chemical analysis (Table 1), the particles can be considered to have a single density; hence,

Table 1. Chemical analysis (in oxides) of the silica particles used in the experiments

Element	Average Content (wt%)
SiO <sub>2</sub>	>98.5%
Fe <sub>2</sub> O <sub>3</sub>	<450 ppm
Al <sub>2</sub> O <sub>3</sub>	<7,500 ppm
TiO <sub>2</sub>	<360 ppm
CaO	<300 ppm
K <sub>2</sub> O	<5,500 ppm



the washability of the suspension is only a function of particle size distribution. Characteristic sizes of the particle size distribution, which was measured with a Malvern Mastersizer 2000, are  $d_{10} = 3 \mu\text{m}$ ,  $d_{50} = 17 \mu\text{m}$ , and  $d_{90} = 46 \mu\text{m}$ .

The L40 concentrator is a semi-batch apparatus. The tailings (light) stream exits the separator continuously and can be sampled over time. The concentrate (heavy) stream can only be analyzed at the end of the experiment. Hence, data reconciliation is necessary to calculate the separation efficiency under any given conditions. Full analysis of performance requires that the Falcon be stopped. The concentrator is operated at a constant flow rate and the size distribution and concentration of the feed is constant throughout the experiment.

**Experimental confirmation of the no-resuspension hypothesis** The key hypothesis of the model is that particles are captured when they reach the bowl wall, meaning

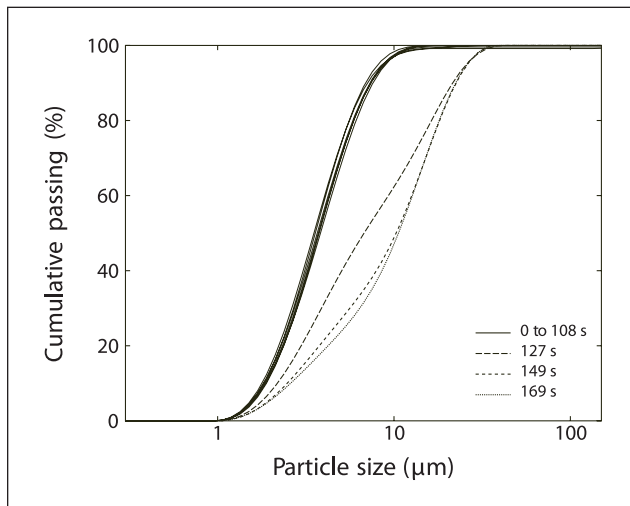


Figure 5. Measured time variation of the particle size distribution for the overflow ( $Q = 4.42 \text{ L/min}$ ,  $\omega = 1460 \text{ rpm}$ ).

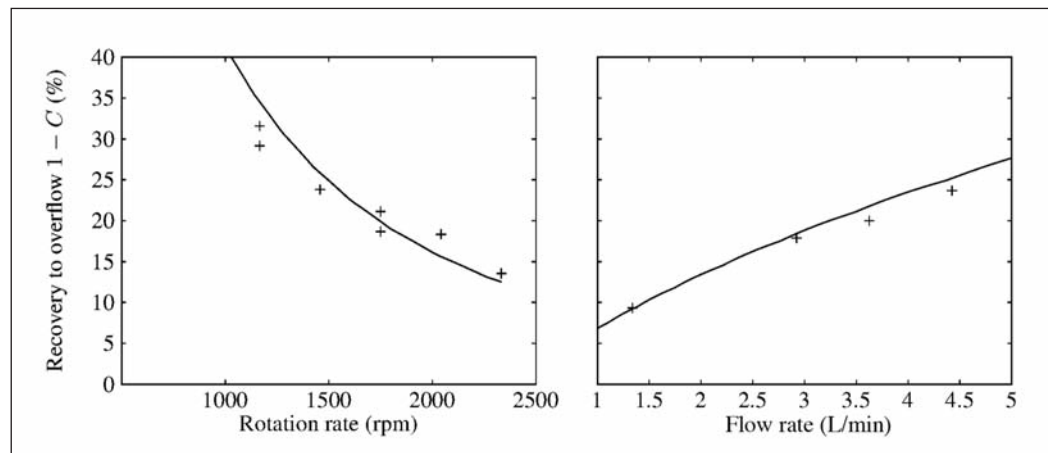


Figure 6. Comparison between scaling law predictions and experimental data with dilute silica suspensions (varying rotation rate with  $Q = 4.5 \text{ L/min}$  and varying flow rate with  $\omega = 1460 \text{ rpm}$ ; both experiments were run at 1.2 wt% solid with silica suspension of  $d_{50} = 17 \mu\text{m}$ ).

that they cannot be resuspended once captured. In a semi-batch Falcon concentrator such as the L40, it is well-known that the particle bed volume increases over time until it fills up the retention zone completely, which triggers a sharp drop in separation efficiency (Laplante et al., 1994; Laplante & Nickoletopoulos, 1997). What we need to ascertain here is whether the entire feed stream exits through the overflow once the bed occupies the retention zone, as per our no-resuspension hypothesis.

To validate this hypothesis, we measured the size distribution in the tailings for a long enough time for the drop in separation efficiency to occur. Figure 5 shows the evolution of the particle size distribution in the overflow as a function of time under test conditions  $Q = 4.42 \text{ L/min}$  and  $\omega = 1460 \text{ rpm}$ . For the first couple of minutes (108 s) in this experiment, we find that the size distribution of the overflow is invariant. This means that separation efficiency is constant during this period. Beyond this time, the size distribution changes rapidly, up to a point where it resembles the size distribution of the feed. At this point, the retention zone of the Falcon concentrator is full and no separation occurs at all. The invariance of the size distribution of the overflow stream during the first couple of minutes proves that the state of filling of the retention zone has no effect on the separation efficiency. The experiment demonstrates that there is no measurable resuspension of captured particles during normal operation of the Falcon concentrator and validates our model and the assumptions that underlie the analytical scaling law we derived for dilute suspension.

**Validation of the scaling law for dilute suspensions**

Solids concentration in the overflow was measured for different operating conditions and compared to predictions using the scaling law. Figure 6 shows that predictions are in remarkable agreement with the measured data. Indeed, the solid lines in Figure 6 correspond to scaling law predictions using Equation 6 corrected only with a constant coefficient

of 0.66 (so the constant part of Equation 5 becomes  $0.66 \times 4\pi/9$ ). What this means is that the model that we derived captures the key aspects of the physics that govern particle transport inside a Falcon concentrator. One strength of the scaling law is that it gives a clear and direct understanding of the relative significance of all the

process parameters on separation efficiency. However, the validity of the scaling law is limited to dilute suspensions and concentration effects should be accounted for using the concentrated model to handle industrial situations with high solids concentrations.

### Model application to ultrafines beneficiation

Applications of Falcon concentrators with ultrafine low specific-gravity suspensions, for which our model is validated, can be found in the literature. In particular, Honaker and co-workers did use a Falcon concentrator for fine coal beneficiation (Honaker et al., 1996; Honaker & Wang, 1998; Honaker & Patil, 2002). The situation that we are interested in concerns the beneficiation of fine dredged sediments. Such sediments contain a mixture of organic matter and sand particles and their rather unique washability is given in Figure 7. As the gangue tends to report to the finer size fractions, our objective is to test the ability of the Falcon concentrator to separate the organic fraction from the sand fraction at a size of approximately 10  $\mu\text{m}$ , to produce a valuable +10 micron sand fraction.

**Concentration effect** When particles with different densities are mixed, the way by which each particle type affects

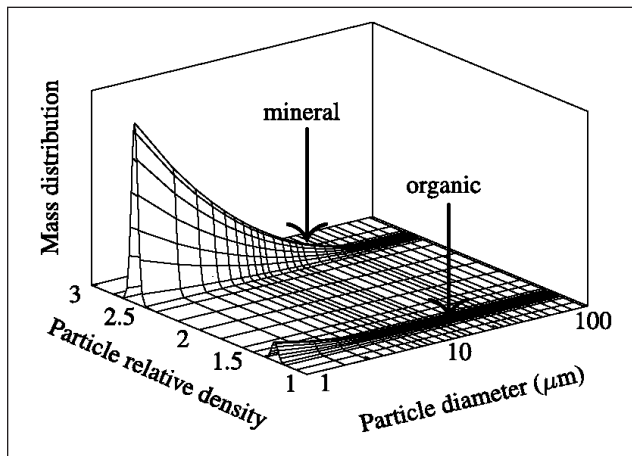


Figure 7. Washability of the dredged sediments used in this paper.

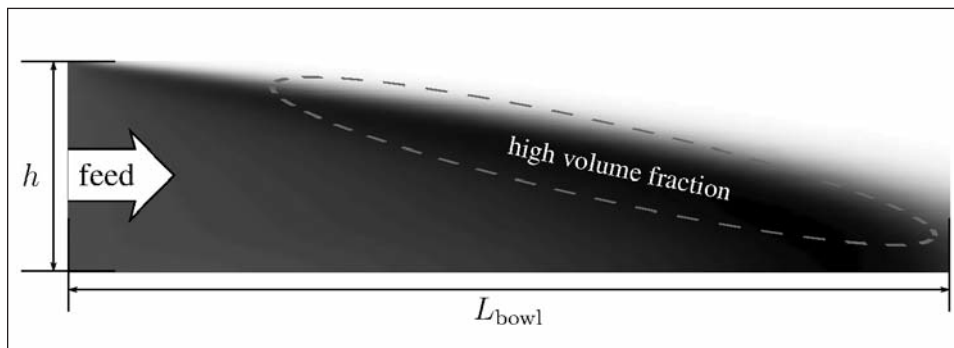


Figure 8. Concentration variations for a lighter particle type in a suspension combining two materials of different densities.

the flow, or is affected by the flow, differs. Low-density particles have little effect on the overall suspension density but when suspension density varies locally, their trajectories are impacted significantly. Indeed, scaling law (Equation 3, for example) shows that particles are more or less affected depending on their density difference with the carrying fluid: The smaller the density differential, the more sensitive particles become to suspension density variations. Conversely, denser particles are less sensitive to variations in suspension density due to their higher density differential with the fluid but they have an important impact on the density of the suspension in their immediate neighbourhood. In regions where they are present in high concentration, they can yield a local density high enough to prevent settling of less dense particles. Hence, increasing the solid fraction in the feed increases local concentration effects depending on feed washability, which can possibly help separate particles on the basis of their specific gravity. This beneficial effect is expected to apply up to a point.

Moreover, each particle travelling in the film displaces an equivalent volume of fluid in a direction opposite to its direction of motion. In regions where particles settle rapidly, the resulting back-flow of fluid becomes significant and can potentially prevent settling of particles with lower settling velocity. This back-flow effect is likely to contribute to differential settling, which is the main separation mechanism inside a Falcon concentrator.

Figure 8 shows the concentration distribution of a given particle type. It illustrates the improvement in particle separation that results from the concentration effects discussed previously. Indeed, Figure 8 clearly shows two regions: a lower region that contains most of the particles of the type considered and a region above with a lesser concentration. The particle type whose volume fraction field is shown in Figure 8 belongs to the low-density fraction of a suspension that is bimodal in density. Figure 8 clearly shows the back-flow effect caused by settling of the denser particles, which lifts the low-density fraction into the higher region. We see that the lighter fraction settles to the right of Figure 8, that is, after the denser particles have already settled.

The model also predicts that increasing the fraction of denser particles will increase the sedimentation length of less dense particles. Because particle capture is dictated by sedimentation length, increasing the solid fraction can possibly improve separation of light organic particles from heavier sand particles. Of course, whether this effect plays a significant role or not will depend on the washability of the feed material and the operating conditions.

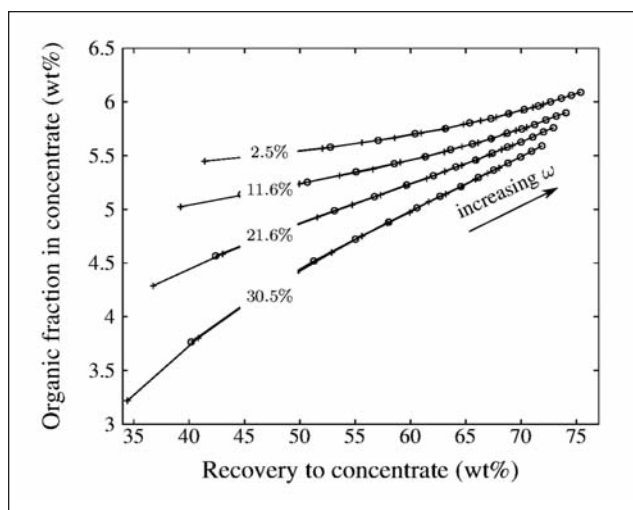


Figure 9. Grade-recovery curves as a function of solids concentration. The feed contains 11 wt% organics. Separation is predicted for a Falcon L40 operating at 3 L/min (o) and 5 L/min (+).

The value of modelling as a guide for identifying the favourable sets of conditions is self-explanatory.

### Application to beneficiation of dredged sediments

As indicated earlier, our research is concerned with beneficiating dredged sediments by separating the +10 micron sand fraction from the lighter organic fraction and the -10 micron sand particles. Therefore, we have applied our concentrated model to an actual washability for dredged sediments. Figures 9 and 10 show predicted grade-recovery curves for our laboratory UF bowl (diameter 10 cm). Starting with a feed that contains 11wt% organics, the model behaves as expected, i.e., organics recovery increases with the recovery to concentrate. Figure 9 predicts that increasing feed solid concentration up to 30.5 vol.% is beneficial to the process. As indicated earlier, this finding cannot be generalized because it is the result of the combination between the washability of the feed and the operating conditions of the Falcon. Figure 8 also includes predictions using two flow rates, the larger one being almost double the smaller one. The predicted effect with the concentrated model is that the values of recovery are close and that they sit on a single grade-recovery curve that does not depend on feed rate. As already known from the scaling law, rotation velocity has a strong effect on recovery. This is perhaps best appreciated in Figure 10. For practical purposes, Figure 10 is very useful because it gives a direct prediction of the maximum sand recovery as a function of organics recovery. More detailed analysis of model predictions can be done for process optimization such as with size-by-size recovery analysis. All in all, model predictions indicate that the Falcon concentrator is a promising separator for beneficiation of dredged sediments. Indeed, with the sample sediment whose washability we used, one pass through the UF bowl removes half of

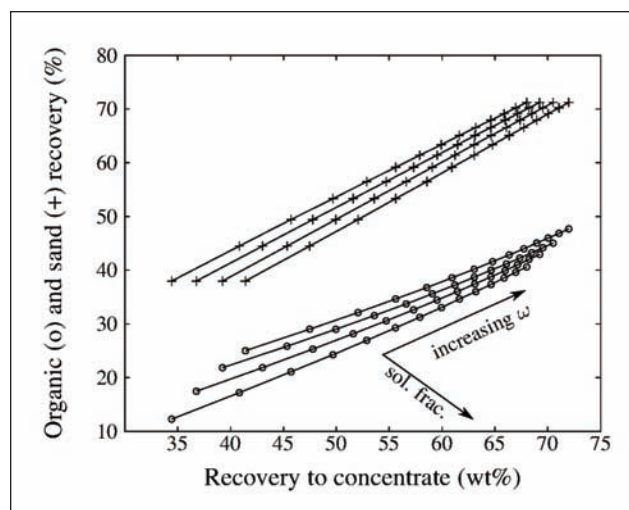


Figure 10. Recovery predictions for dredged sediments, showing the effect of feed solids concentration and rotation velocity.

the organic fraction by mass. Process optimization calculations are necessary to identify the best set of conditions for beneficiating this particular dredged sediment.

### CONCLUSIONS AND PERSPECTIVES

This paper presents the developed mechanistic model for UF Falcon at concentrated suspension conditions and the key hypotheses for this model are validated. The objective of this paper is to quantify its potential for the beneficiation of ultrafine low-density (s.g. < 3) suspensions composed of dredged sediments. The gravity separation challenge with dredged sediments comes mainly from the particle size of the material, whose valuable sand fraction is in the  $100 \mu\text{m} \times 10 \mu\text{m}$  particle size range. Particle fineness, along with the relatively high concentration of valuable material in the feed, make this problem quite different from standard Falcon applications. The washability of dredged sediments resembles that of fine coal tailings and we are already planning to use the model to test the possibility of beneficiating fine coal tailings with a Falcon UF concentrator.

Under dilute conditions, our model leads to an interesting analytical solution. In addition to providing us with valuable insights about the relative significance of the process variables on separation efficiency, this model was used to test the validity of the physics used to model the Falcon UF concentrator.

We then extended the model to the case of concentrated suspensions, which can no longer be solved analytically. With the latter model, we showed that increasing solids concentration can be beneficial to separation efficiency under some conditions. This is a rather interesting finding that needs to be verified experimentally. Experiments with concentrated suspensions are being planned for validating the extended model.

Finally, optimization work with the proposed model is underway to identify the best set of conditions that are required to beneficiate ultrafine dredged sediments with the Falcon UF concentrator.

## ACKNOWLEDGMENTS

This work is funded by the French “Agence Nationale pour la Recherche” (ANR), in the framework of the PRE-CODD-PROSPED project.

Paper reviewed and approved for publication by the Canadian Mineral Processors Society of CIM.

**Jean-Sébastien Kroll-Rabotin** is an engineer in fluid modelling from the Grenoble Institute of Technology, France. He received his PhD in process engineering from the University of Toulouse under professors Climent and Bourgeois. He now works at the University of Alberta in the field of solid-liquid numerical simulations and particulate interactions.

**Florent Bourgeois** received his PhD in extractive metallurgy (under Peter King) from the University of Utah’s Mining & Metallurgical Engineering Department in 1993. He worked as a research fellow for CRC Mining (Queensland, Australia) from 1994 to 1996 and held a lecturer position in minerals processing with the University of Queensland’s Mining & Metallurgical Engineering Department from 1997 to 2000. Between 2001 and 2005, he worked as project leader for the French Geological Survey’s processing department. He now holds a tenured position at the University of Toulouse. His field of expertise is particulate process design and modelling, with emphasis on solid-liquid separation, mineral comminution, and texture modelling.

**Éric Climent** received his PhD in fluids mechanics in 1996. He was lecturer at the University of Strasbourg (1997–2001). He then moved to Brown University (U.S.A.) as a visiting professor in applied mathematics. He returned to Toulouse in 2003 to work in the chemical engineering laboratory. Since 2008, he has been a member of the Fluids Mechanics Institute, developing his expertise on the modelling and simulation of disperse two-phase flows (suspension flow, solid/liquid separation, bubbles, and drops in turbulent flows).

## REFERENCES

- Bürger, R., Concha, F., Fjelde, K.-K., & Hvistendahl Karlsen, K. (2000). Numerical simulation of the settling of polydisperse suspensions of spheres. *Powder Technology*, 113:77–318.
- Clift, R., Grace, J. R., & Weber, M. E. (1978). *Bubbles, Drops and Particles*. Academic Press: New York.
- Concha, F., & Almendra, E. R. (1979). Settling velocities of particulate systems, 2. Settling velocities of suspensions of spherical particles. *International Journal of Mineral Processing*, 6:31–41.
- Concha, F., & Bürger, R. (2002). A century of research in sedimentation and thickening. *Kona: Powder and Particle Journal*, 20:38–69.
- Deveau, C. (2006). Improving fine particle gravity recovery through equipment behavior modification. In *Proceedings of the 38th Annual Meeting of the Canadian Mineral Processors*, Paper 31, pp. 501–517.
- Deveau, C., & Young, S. R. (2005). Pushing the limits of gravity separation. In *Proceedings of the Society for Mining, Metallurgy and Exploration Annual Meeting*.
- Einstein, A. (1956). *Investigations on the Theory of Brownian Movement*. New York: Dover.
- Honaker, R. Q., & Patil, D. P. (2002). Parametric evaluation of a dense-medium process using an enhanced gravity separator. *Coal Preparation*, 22(1):1–17.
- Honaker, R. Q., & Wang, D. (1998). Falcon concentrators: A high capacity fine coal cleaning technology. In *Proceedings of the Society for Mining, Metallurgy and Exploration Annual Meeting*.
- Honaker, R. Q., Wang, D., & Ho, K. (1996). Application of the Falcon concentrator for fine coal cleaning. *Minerals Engineering*, 9(11):1143–1156.
- Krieger, I. M., & Dougherty, T. J. (1959). A mechanism for non-Newtonian flow in suspensions of rigid spheres. *Journal of Rheology*, 3(1):137–152.
- Kroll-Rabotin, J.-S., Bourgeois, F., & Climent, E. (2010). Fluid dynamics based modelling of the Falcon concentrator for ultrafine particle beneficiation. *Minerals Engineering*, 23(4):313–320. Special Issue: Physical Separation.
- Laplante, A. R., & Nickoletopoulos, N. (1997). Validation of a Falcon model with a synthetic ore. *Canadian Metallurgical Quarterly*, 36(1):7–13.
- Laplante, A. R., Buonvino, M., Veltmeyer, A., Robitaille, J., & Naud, G. (1994). A study of the Falcon concentrator. *Canadian Metallurgical Quarterly*, 33(4):279–288.
- Makarytchev, S. V., Xue, E., Langrish, T. A. G., & Prince, R. G. H. (1997). On modelling fluid flow over a rotating conical surface. *Chemical Engineering Science*, 52:1055–1057.
- McAlister, S. A., & Armstrong, K. C. (1998). Development of the Falcon concentrator. In *Proceedings of the Society for Mining, Metallurgy and Exploration Annual Meeting*.
- McGeary, R. K. (1961). Mechanical packing of spherical particles. *Journal of the American Ceramic Society*, 44:513–522.
- Schiller, L., & Naumann, Z. (1935). A drag coefficient correlation. *Zeitschrift des Vereines Deutscher Ingenieure*, pp. 77–318.