



HAL
open science

Modeling of thermal contacts with heat generation: Application to electrothermal problems

Anas El Maakoul, Benjamin Remy, Alain Degiovanni

► To cite this version:

Anas El Maakoul, Benjamin Remy, Alain Degiovanni. Modeling of thermal contacts with heat generation: Application to electrothermal problems. *International Journal of Heat and Mass Transfer*, 2019, 140, pp.293-302. 10.1016/j.ijheatmasstransfer.2019.06.015 . hal-02441295

HAL Id: hal-02441295

<https://hal.univ-lorraine.fr/hal-02441295>

Submitted on 25 Oct 2021

HAL is a multi-disciplinary open access archive for the deposit and dissemination of scientific research documents, whether they are published or not. The documents may come from teaching and research institutions in France or abroad, or from public or private research centers.

L'archive ouverte pluridisciplinaire **HAL**, est destinée au dépôt et à la diffusion de documents scientifiques de niveau recherche, publiés ou non, émanant des établissements d'enseignement et de recherche français ou étrangers, des laboratoires publics ou privés.



Distributed under a Creative Commons Attribution - NonCommercial 4.0 International License

1 **Modeling of thermal contacts with heat generation: application to electrothermal problems**

2 Anas El Maakoul ^{b*}, Benjamin Remy ^a, Alain Degiovanni ^{a,b}

3 ^a Université de Lorraine, CNRS, LEMTA, 54504 cedex, Vandoeuvre les Nancy, France

4 ^b Université Internationale de Rabat, Pôle Energie, LERMA, 11100 Sala Al Jadida, Maroc

5 Abstract:

6 When modeling thermal contacts with heat generation between two solids (e.g. electrothermal
7 applications), we are often interested in evaluating the heat transfer rates and contact temperatures,
8 and generally, it is difficult to evaluate these thermal characteristics due to interfacial conditions. In
9 this work, a general representation of solid-solid thermal contact problems with heat generation is
10 proposed. This representation is based on the thermal-electrical analogy and uses the notion of
11 partition coefficient β . The resulting equivalent thermal circuits are presented and discussed. The
12 pertinence of this analytical approach is demonstrated for the electrothermal application of Joule
13 heating for different contact configurations (similar and dissimilar materials, with and without
14 interstitial fluid). The analytical results for each configuration are compared to numerical results
15 obtained using numerical simulations under similar conditions, both results are in very good
16 agreement.

17 **1. Introduction:**

18 Modeling thermal contacts problems with heat generation is both complex and difficult. This difficulty
19 comes mainly from modeling the interfacial conditions, and until now, to the authors knowledge, there
20 is no model or method that received unanimous acceptance by the heat transfer community.

21 In the literature, there are numerous studies where different models are proposed and applied to
22 various applications of thermal contacts with heat generation. Depending on the application, two
23 mains categories can be identified: Contacts with friction (molding, machining, ...) and electrothermal
24 contacts (electrical conductors, spot welding process ...).

25 A description of representative studies that appear in the literature now follows. For the first category
26 of contacts with friction, several research works dealt with machining and molding [1-4], while in
27 others, the authors studied dry contact under perfect contact conditions [5-10] or Imperfect contact
28 conditions [11-14]. The heat generated through friction was evaluated differently depending on the
29 authors. Some distributed the heat sources [15,16], some located the heat generation on the contact
30 plane [17], others located it on one of the friction surfaces [18]. Other authors, based on the approach
31 used by Bardon [19], considered interfacial heat generation using the notion of ‘part of the generated
32 heat that causes a spike in temperature at the interface’ or ‘heat generation factor’ [20-24]. As for the
33 second category of electrothermal contacts, heat is generated in the matter of the materials in contact.
34 There are various models for this category, such as with or without contact resistance and with or
35 without interfacial heat generation [25-33].

36 The foregoing short introduction shows that the main difficulty lies in the representation of the heat
37 sources, particularly if we want to keep the notion of “contact resistance”. One representation that
38 can be generalized was introduced by Bardon [19] which, as mentioned previously, consists in
39 considering interfacial heat generation and introducing a heat generation factor α , the equivalent
40 thermal circuit for this representation is shown in figure 1. In this case, R_1 and R_2 are respectively the
41 non-perturbed thermal resistances of mediums 1 and 2, R_c is the contact resistance and φ_g the total
42 rate of heat generation.

43 In this representation, the coefficient α depends not only on the spatial distribution of the heat sources
 44 but also on the thermal conductivities λ_1 and λ_2 of the mediums 1 and 2. Another problem with this
 45 representation is that does not permit the evaluation of the contact temperature.

46 In this paper, we consider the solid-solid thermal contact problem with heat generation and propose
 47 a general representation, that is easily applicable, to evaluate the heat transfer rates and contact
 48 temperature. To do so, we first need to examine in detail the notion of “contact resistance”.

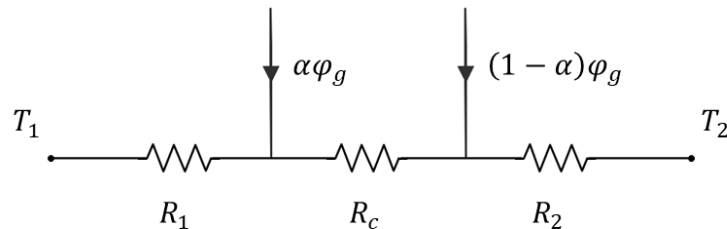


Figure 1: Equivalent thermal circuit proposed by Bardon [19]

49 **2. Concept of “contact resistance”:**

50 Let’s consider the contact between two solids without heat sources (figure 2), because the solid
 51 contact spots are interspersed with gaps (that are generally filled with a fluid), the actual contact area
 52 (solid contact spots) is much smaller than the apparent area. The contact resistance is described using
 53 an axisymmetric elementary contact cell that corresponds to a reference contact area associated to a
 54 rate of heat transfer; the overall contact and heat transfer are represented by multiple elementary
 55 cells in parallel [34, 35] as shown in figure 2. Figure 3 represents schematically an elementary cell.

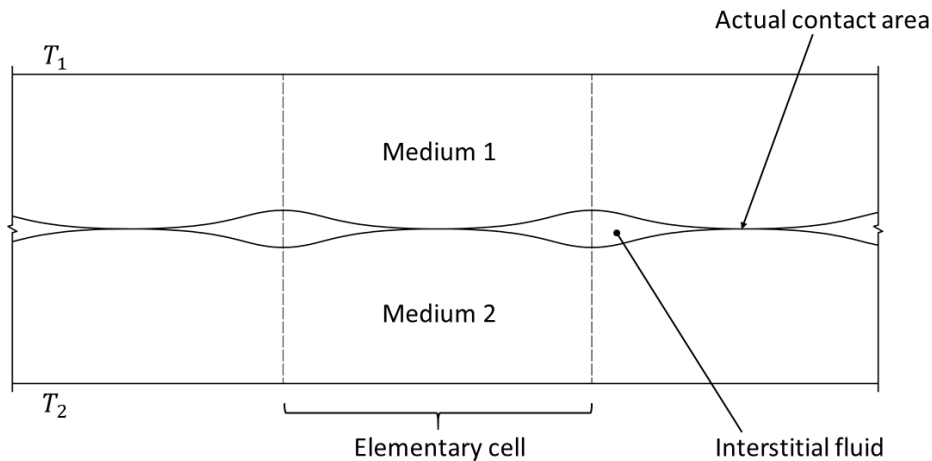


Figure 2: Representation of contact between two solids

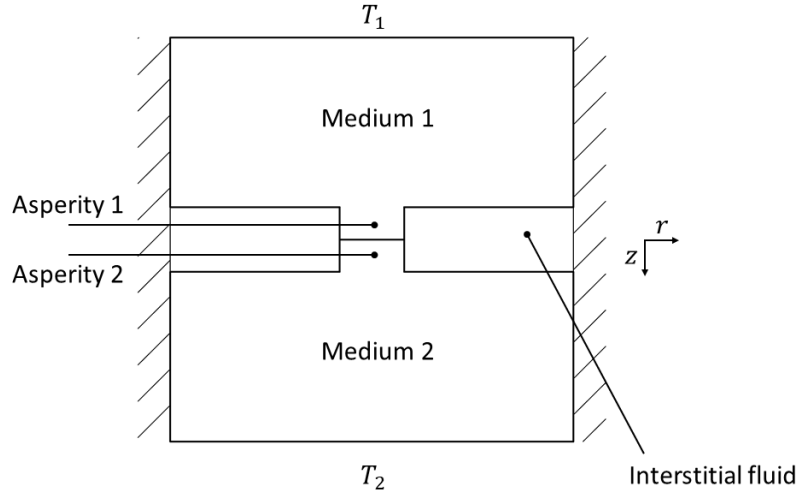


Figure 3: schematic representation of an axisymmetric elementary contact cell

56

57 With reference to figure 3, the rigorous approach consists in splitting the elementary cell into two
 58 parallel heat transfer regions (internal and external). In the internal region, heat flows through the
 59 asperities while in the external region heat flows through the interstitial fluid. The foregoing is
 60 presented in figure 4.a, where the two regions are separated with dashed curves.

61 Noting that the total heat transfer is the sum of the heat transfer rates ϕ_i and ϕ_e , we can write:

$$\frac{1}{R_t} = \frac{1}{R_i} + \frac{1}{R_e} \quad (1)$$

62 Where R_t is the total thermal resistance, R_i and R_e are respectively the thermal resistances of the
 63 internal and external regions. Let's decompose the resistance of each region into resistances
 64 connected in series (figure 4.b and figure 5):

$$R_i = R_{m1i} + R_{c1i} + R_{a1} + R_{a2} + R_{c2i} + R_{m2i} \quad (2)$$

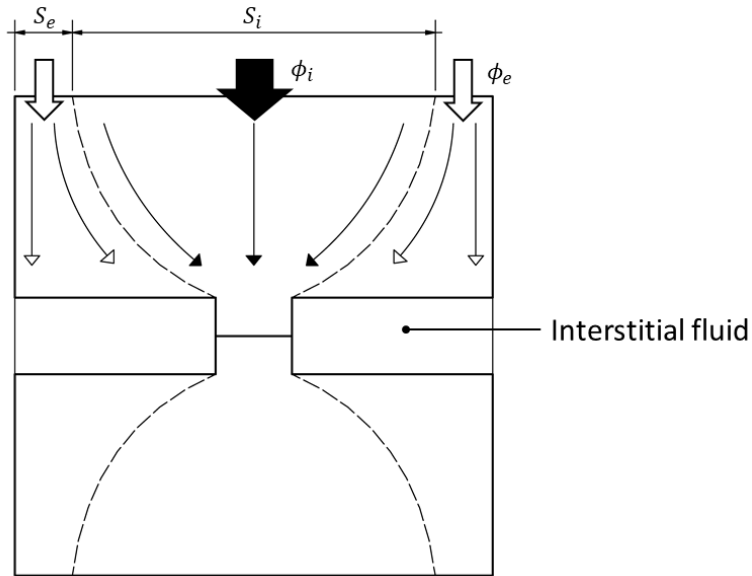
$$R_e = R_{m1e} + R_{c1e} + R_f + R_{c2e} + R_{m2e} \quad (3)$$

65 Where

- 66 • R_{m1i} and R_{m2i} represent the resistances associated to the surface S_i (internal region).
- 67 • R_{m1e} and R_{m2e} represent the resistances associated to the surface S_e (external region).
- 68 • R_{a1} and R_{a2} are the resistance of the asperities.
- 69 • R_f is the resistance of the fluid
- 70 • R_{c1i} and R_{c2i} are the constriction resistances associated to the internal region (narrowing heat
 71 flow area, see figure 4)
- 72 • R_{c1e} and R_{c2e} are the constriction resistances associated to the external region (widening heat
 73 flow area)

74

a)



b)

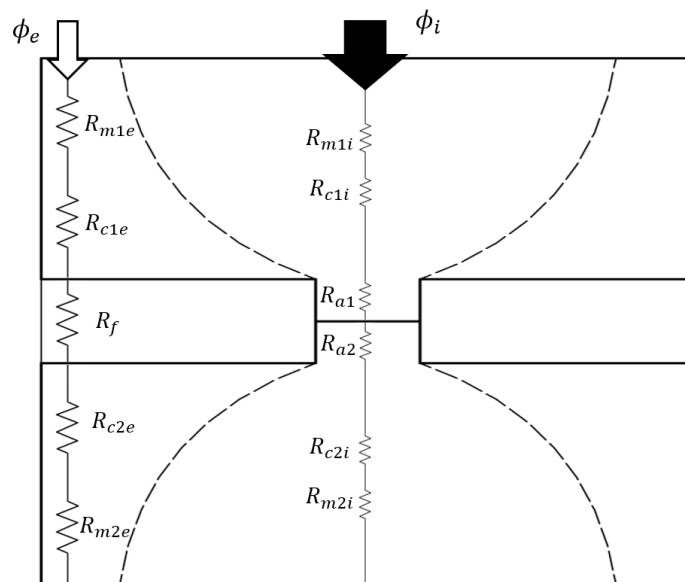


Figure 4: a) internal (ϕ_i) and external (ϕ_e) heat transfer regions for an elementary cell; b) thermal resistances in series for each region (Eq (2-3))

75

76 In figure 5, it can be demonstrated (see appendix 1) that the potentials A and C are the identical, the
 77 same is true for the potentials B and D . Moreover, in most cases, the actual contact area is much
 78 smaller than the apparent area, therefore the external constriction resistances (R_{c1e} and R_{c2e}) are
 79 negligible compared to the fluid resistance R_f and the internal constriction resistances are very close
 80 to the intrinsic constriction resistances (irrespective of the asperities and the fluid) [36]. The inferred
 81 thermal circuit is shown in figure 6 where R_c is the contact resistance.

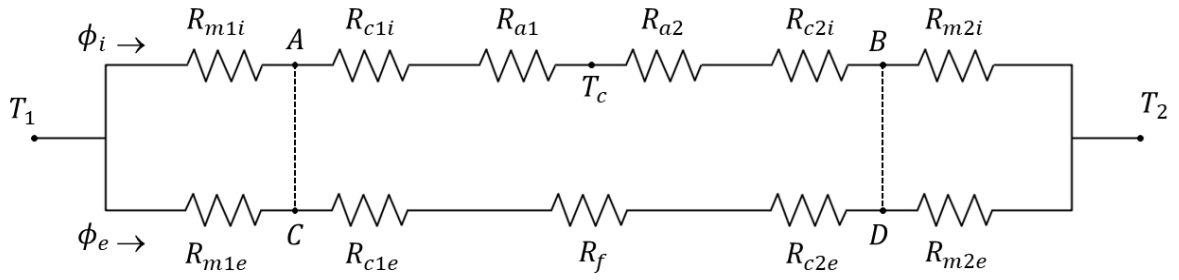


Figure 5: The complete equivalent thermal circuit for contact problems without heat source

82

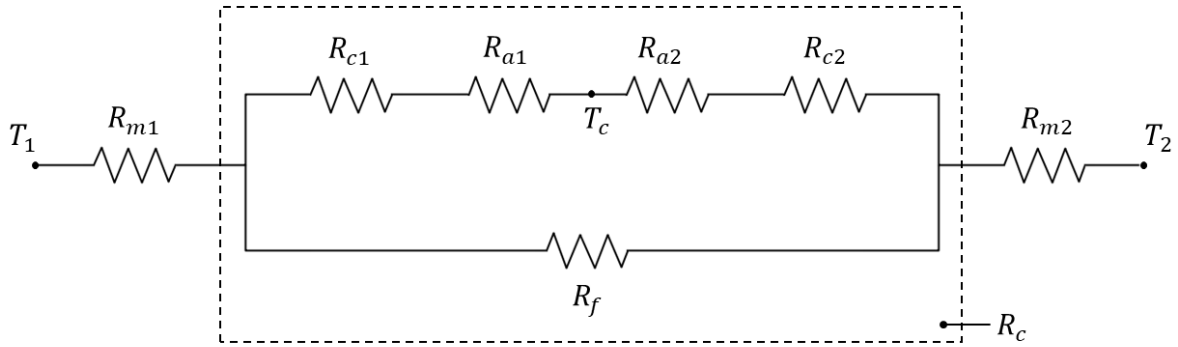


Figure 6: Simplified equivalent thermal circuit for contact problems without heat source

83

84 Can the preceding equivalent thermal circuit be modified to consider internal heat sources? in the case
 85 of localized sources, the problem is solved by simply applying Kirchhoff's current law, while for a
 86 distributed source (heat generation varying with position), it was demonstrated that the problem has
 87 an equivalent thermal circuit [37]. In the next section, we briefly present this demonstration for the
 88 special case of curvilinear coordinates.

89 3. Notion of partition coefficient in a steady conduction problem with an internal source [37]:

90 Let's consider the case of unidirectional conduction with internal sources where the heat flux vector is
 91 perpendicular to the isothermal surfaces. The sources are uniform between two isotherms and we can
 92 define a curvilinear coordinate s orthogonal to the isotherms (figure 7).

93 With $g(s)$ the volumetric heat generation rate, $S(s)$ the isothermal section and constant thermo-
 94 physical properties, we can write Fourier's equation as:

$$\phi(s) = -\lambda S(s) \frac{dT(s)}{ds} \quad (4)$$

95 And the energy balance:

$$d\phi = g(s)S(s)ds \quad (5)$$

96 We define:

$$Q = \int_{s_{in}}^{s_{out}} g(s)S(s)ds \quad r(s) = \int_{s_{in}}^s \frac{ds}{\lambda S(s)} \quad R = \int_{s_{in}}^{s_{out}} \frac{ds}{\lambda S(s)}$$

97

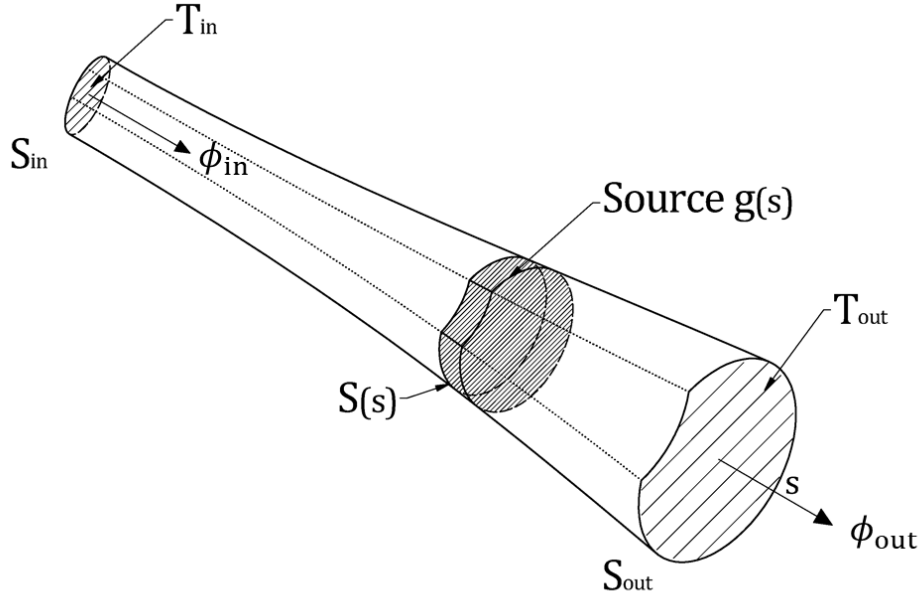


Figure 7: Unidirectional conduction with internal sources

98

99 Integrating equation (5) from s_{in} to s_{out} , we get:

$$\phi_{out} = Q + \phi_{in} \quad (6)$$

100 Integrating equation (4) from s_{in} to s_{out} yields:

$$T_{in} - T_{out} = R\phi_{out} - \int_{s_{in}}^{s_{out}} r(s)g(s)S(s)ds \quad (7)$$

101 As demonstrated in [37], relations (6) and (7) correspond to the thermal circuit shown in figure 8,
 102 which shows that a medium with an internal heat source can be represented using an equivalent
 103 thermal circuit with two resistances βR and $(1 - \beta)R$, where the total rate of heat generation Q is
 104 dissipated between the two resistances. Therefore:

$$\beta = \int_{s_{in}}^{s_{out}} \frac{r(s)}{R} \frac{g(s)}{Q} S(s)ds \quad (8)$$

105 β is the partition coefficient and Q is the total rate of heat generation in the medium.

106 In this representation, β is independent of the medium's thermal conductivity and is only a function
 107 of the source's distribution.

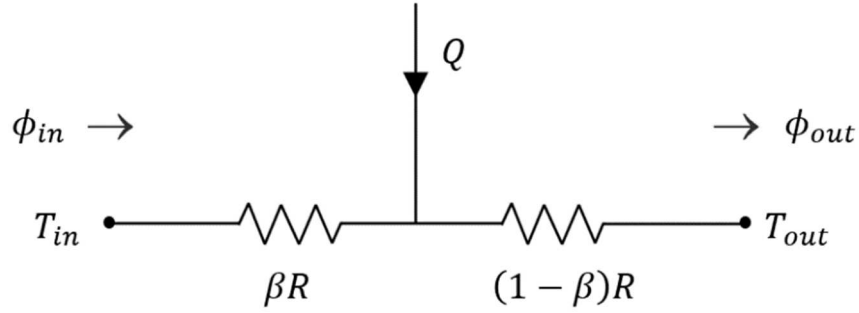


Figure 8: Equivalent thermal circuit of heat conduction in a medium with an internal heat source

108

109 **4. Application to electrothermal problems:**

110 With reference to figure 7, we consider the problem of heat generation due to Joule heating which
 111 represents the conversion from electrical to thermal energy in a current-carrying medium. An electric
 112 potential difference is imposed between S_{in} and S_{out} , thus an electric current I flows through the
 113 medium. Considering ρ_e the electrical resistivity of the medium, the electrical resistance of an element
 114 ds is expressed in the same way as the thermal resistance (solution of the same problem, $\Delta T = 0$ or
 115 $\Delta V = 0$, for the same volume and boundary conditions):

116
$$dr_e = \frac{\rho_e ds}{S(s)}$$

117 Thus

$$g(s) = \frac{\rho_e ds}{S(s)} I^2 \frac{1}{S(s) ds} = \frac{\rho_e I^2}{S^2(s)} \quad (9)$$

118 Relation (8) becomes:

$$\beta = \int_{S_{in}}^{S_{out}} \frac{\int_{S_{in}}^s \frac{ds}{\lambda S(s)}}{\int_{S_{in}}^{S_{out}} \frac{ds}{\lambda S(s)}} \frac{\frac{\rho_e I^2}{S^2(s)}}{\int_{S_{in}}^{S_{out}} \frac{\rho_e I^2}{S^2(s)} S(s) ds} S(s) ds \quad (10)$$

119 Which reduces to

$$\beta = \int_{S_{in}}^{S_{out}} \frac{\int_{S_{in}}^s \frac{ds}{S(s)} \cdot \frac{ds}{S(s)}}{\left(\int_{S_{in}}^{S_{out}} \frac{ds}{S(s)} \right)^2} \quad (11)$$

120 Let $F(s) = \int_{S_{in}}^s \frac{ds}{S(s)}$ (with $F(S_{in}) = 0$), we get:

$$\beta = \frac{1}{F^2(S_{out})} \int_{S_{in}}^{S_{out}} F(s) F'(s) ds = \frac{1}{2} \quad (12)$$

121 The partition coefficient β is a constant equal to $1/2$. This remarkable result can be demonstrated for
 122 the general electrothermal problem (steady or transient) with any geometrical configuration (see [37]).

123 **5. Thermal contact with heat sources:**

124 Let's consider the circuit shown in figure 5. In the presence of heat sources in the internal and external
 125 branches, the potentials A and C are no longer identical and the same is true for potentials B and D .
 126 This prevents, in the general case, the definition of the contact resistance.

127 Let's consider the two following particular cases.

128 **5.1. Fluid with a high thermal resistance:**

129 An example is the thermal contact in a vacuum environment. For this case, the circuit in figure 5
 130 reduces to one branch (internal) with heat sources and we can use the preceding result shown in figure
 131 8. The thermal equivalent circuit for this case is shown in figure 10 where:

132
$$R_1 = R_{m1} + R_{c1} + R_{a1}$$

133 And

134
$$R_2 = R_{m2} + R_{c2} + R_{a2}$$

135 R_1 and R_2 are respectively the total thermal resistances of medium 1 and 2. T_c is the contact
 136 temperature. Note that in the circuit of figure 10, the only approximation is that the contact is
 137 isothermal.

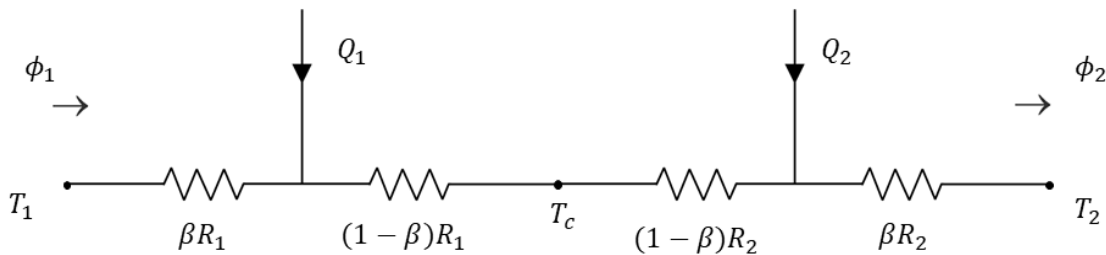


Figure 10: Equivalent thermal circuit of thermal contact with heat source and $R_f \rightarrow \infty$

138 **5.2. Fluid with a non-negligible thermal resistance:**

139 In this case, the solution is obtained by exploiting the linearity of the problem. The temperature is then
 140 written in the form $T = X + Y$. For the problem in X , there is a temperature difference ($T_1 \neq T_2$) with
 141 no heat source, while for the problem in Y , there is a heat source without temperature difference
 142 ($T_1 = T_2$). The solution to the problem in X is given by figure 6. The solution to the problem in Y can
 143 be simplified if we assume that the heat transfer through the external region is negligible (this
 144 hypothesis will be later verified using numerical simulations), thus, the solution to the problem in Y is
 145 given by figure 10 where $T_1 = T_2 = 0$. The equivalent thermal circuits for this case are shown in figure
 146 11.

147 The heat transfer rates are:

$$\phi_1 = \phi_X + \phi_{Y1} \tag{13}$$

$$\phi_2 = \phi_X + \phi_{Y2} \tag{14}$$

148 And the contact temperature

$$T_c = X_c + Y_c \tag{15}$$

149 For electrothermal problems, we only need to use $\beta = 1/2$.

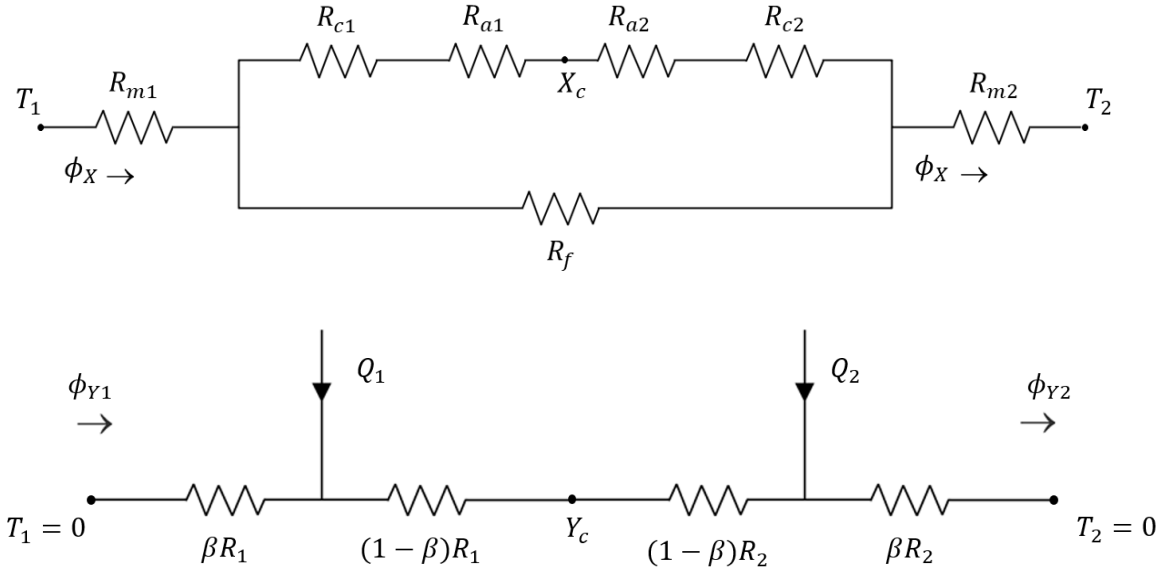


Figure 11: Equivalent thermal circuit for thermal contacts with heat source and interstitial fluid

150

151 6. Numerical simulations and comparison to the macroscopic approach: application to an 152 elementary contact cell

153 In this section, the results of the analytical approach are compared to numerical simulations for the
154 elementary contact cell described in figure 12. The height l_1 and l_2 are sufficiently larger than the
155 radius a so that the constriction is fully developed; the radius b is sufficiently small as to obtain a
156 realistic model.

157 The geometrical parameters are:

$$158 \quad a = 10 \mu m ; b = 1 \mu m ; l_1 = l_2 = 20 \mu m$$

159 Two materials are considered, Iron and Copper, the interstitial fluid is air. The relevant physical
160 properties are listed below:

- 161 • Iron: $\lambda = 40 \text{ Wm}^{-1} \text{ K}^{-1}$ and $\rho_e = 10^{-7} \Omega m$
- 162 • Copper: $\lambda = 400 \text{ Wm}^{-1} \text{ K}^{-1}$ and $\rho_e = 2 \cdot 10^{-8} \Omega m$
- 163 • Air: $\lambda_f = 0.025 \text{ Wm}^{-1} \text{ K}^{-1}$ and $\rho_e = 1.24 \cdot 10^{14} \Omega m$

164 We define three interface configurations:

- 165 • Configuration 1: Asperities with nil thickness $\delta_1 = \delta_2 = 0$ without any interstitial fluid
- 166 • Configuration 2: Asperities of thickness $\delta_1 = \delta_2 = 0.5 \mu m$ without interstitial fluid
- 167 • Configuration 3: Asperities of thickness $\delta_1 = \delta_2 = 0.5 \mu m$ with air as interstitial fluid

168 And four different cases:

- 169 • Case 1: iron to iron contact with $T_1 = T_2 = 0^\circ C$ and $\Delta U = 4.24 \cdot 10^{-2} \text{ V}$
- 170 • Case 2: iron to copper contact with $T_1 = T_2 = 0^\circ C$ and $\Delta U = 4.24 \cdot 10^{-2} \text{ V}$
- 171 • Case 3: iron to iron contact with $T_1 = 100^\circ C$, $T_2 = 0^\circ C$ and $\Delta U = 4.24 \cdot 10^{-2} \text{ V}$
- 172 • Case 4: iron to copper contact with $T_1 = 100^\circ C$, $T_2 = 0^\circ C$ and $\Delta U = 4.24 \cdot 10^{-2} \text{ V}$

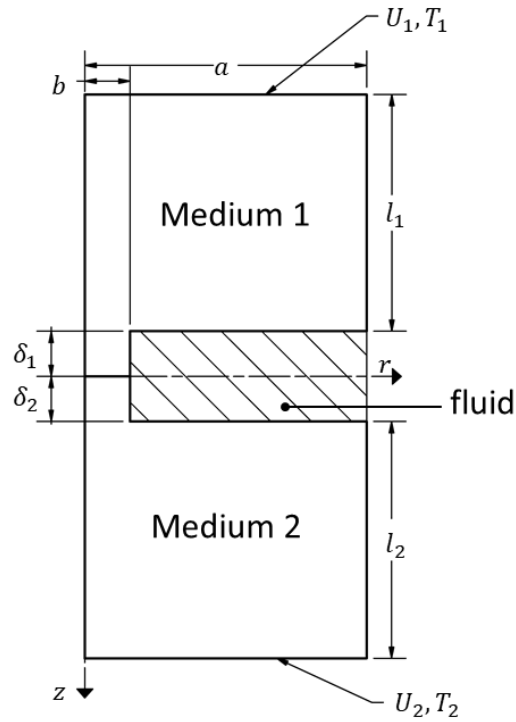


Figure 12: Thermal contact with heat source in an axisymmetric elementary cell

173

6.1. Numerical results:

174

The numerical simulations are carried out using FLUENT, the geometry is modeled exploiting its axisymmetry. The computational domains are meshed with triangle and quadrilateral elements. the conformal mesh is locally refined at the interface. For each case, a mesh sensitivity test was conducted where the optimal mesh is adopted. The energy and electric potential equations are iteratively solved. The convergence was judged by monitoring residuals and key quantities such as the temperature and potential at the interface (T_c and U_c). The numerical results are summarized in table 1.

180

Table 1: Numerical results				
Configuration 1: Asperities with nil thickness $\delta_1 = \delta_2 = 0$				
Parameter	Case 1	Case 2	Case 3	Case 4
	Iron	Iron	Iron	Iron
	Iron	Copper	Iron	Copper
$\Delta U (V)$	0.0424	0.0424	0.0424	0.0424
ΔT	0	0	100	100
$\phi_1(W)$	-0.01595	-0.02475	-0.00893	-0.01175
$\phi_2(W)$	0.01596	0.02884	0.02323	0.04185
$U_c(V)$	0.0212	0.0072	0.0212	0.0072
$T_c(^{\circ}C)$	55.41	17.04	106.25	26.14
$I (A)$	0.76	1.26	0.76	1.26
Configuration 2: Asperities of thickness $\delta_1 = \delta_2 = 0.5 \mu m$ without interstitial fluid				
Parameter	Case 1	Case 2	Case 3	Case 4
	Iron	Iron	Iron	Iron
	Iron	Copper	Iron	Copper
$\Delta U (V)$	0.0424	0.0424	0.0424	0.0424
ΔT	0	0	100	100
$\phi_1(W)$	-0.01000	-0.01541	-0.00555	-0.00732
$\phi_2(W)$	0.01000	0.01793	0.01445	0.02603
$U_c(V)$	0.0212	0.0071	0.0212	0.0071
$T_c(^{\circ}C)$	56.17	17.03	106.19	26.12
$I (A)$	0.47	0.79	0.47	0.79
Configuration 3: Asperities of thickness $\delta_1 = \delta_2 = 0.5 \mu m$ with air as interstitial fluid				
Parameter	Case 1	Case 2	Case 3	Case 4
	Iron	Iron	Iron	Iron
	Iron	Copper	Iron	Copper
$\Delta U (V)$	0.0424	0.0424	0.0424	0.0424
ΔT	0	0	100	100
$\phi_1(W)$	-0.00993	-0.01519	-0.00495	-0.00659
$\phi_2(W)$	0.00993	0.01800	0.01491	0.02659
$U_c(V)$	0.0212	0.0072	0.0212	0.0072
$T_c(^{\circ}C)$	56.31	17.69	106.31	27.15
$I (A)$	0.47	0.78	0.47	0.78

181

182

6.2. Calculation of thermal resistances:

183

184

185

186

R_{m1} , R_{m2} , R_{a1} , R_{a2} and R_f are wall type resistances, that is, they take the form $e/\lambda S$ where e is the wall thickness, λ its conductivity and S the heat transfer area. R_{c1} and R_{c2} are the constrictions resistances and depend on the boundary condition at the contact interface. The classical approach [38] shows that there are two limiting conditions that correspond to 'uniform heat flux' and 'uniform

187 temperature'. The analytical solutions obtained in the form of series were approximated and
 188 presented in a practical manner by various authors, here we will use the following formulas proposed
 189 in [38]:

Uniform temperature
$$R_c = \frac{1}{4\lambda r} f\left(\frac{r}{R}\right) \quad (16)$$

Uniform heat flux
$$R_c = \frac{8}{3\pi^2\lambda r} f\left(\frac{r}{R}\right) \quad (17)$$

190 With

191
$$f\left(\frac{r}{R}\right) = 1 - 1.288\frac{r}{R} + 0.288\left(\frac{r}{R}\right)^{3.75}$$

192 In the following we will show that the deviation between the analytical and numerical results comes
 193 solely from the approximate calculation of the constriction resistances. We will also use the resistances
 194 obtained using numerical simulations.

195 **6.3. Configuration 1: Asperities with nil thickness $\delta_1 = \delta_2 = 0$:**

196 **6.3.1. Thermal resistances**

197 The thermal resistances values for Iron are presented below, in K/W . For copper, the resistances can
 198 be obtained by dividing the values below by 10 ($\lambda_{copper}/\lambda_{iron} = 10$).

R_m	R_a	R_c (Analytical calculations for a uniform heat flux)	R_c (Analytical calculations for a uniform temperature)	R_c (Numerical simulations)
1591.5	0	5885	5445	5400

199 **6.3.2. Analytical-numerical comparison**

200 In this configuration, the interface temperature is uniform as demonstrated in [35] and confirmed by
 201 the numerical results as shown in figure 13. The numerical temperature at $z = \delta_1$ is plotted against
 202 the radius ($0 \leq r \leq b$). The small deviations are caused by the singularity at $r = b$.

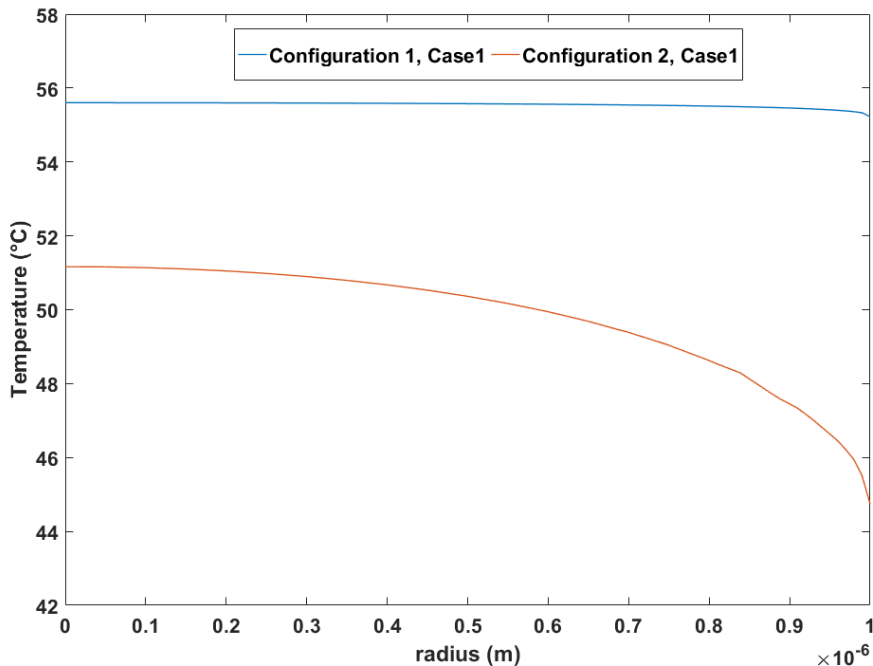


Figure 13: Temperature profile at $z = \delta_1$ for configuration 1, case 1 and configuration 2, case 1.

203 The overall results for this configuration are summarized in table 2. The ‘analytical-numerical’ method
 204 is about using the analytical approach with the numerically obtained thermal resistances. The
 205 ‘analytical-analytical’ method uses the analytical approach with the constriction resistance evaluated
 206 through equations (16) and (17), the first and second lines contain respectively the results for a
 207 ‘uniform temperature’ and a ‘uniform heat flux’ interfacial boundary conditions. The detailed
 208 calculations are presented in appendix 2.

Method	Parameter	Case 1	Case 2	Case 3	Case 4	
		Iron-Iron	Iron-Copper	Iron-Iron	Iron-Copper	
Numerical	$\phi_1(mW)$	-15.95	-24.75	-8.93	-11.75	
	$\phi_2(mW)$	15.96	28.84	23.23	41.85	
	$T_c(^{\circ}C)$	55.40	17.04	106,2	26.14	
Numerical- Analytical	$\phi_1(mW)$	-16.06	-24.74	-8.91	-11.74	
	$\phi_2(mW)$	16.06	28.81	23.21	41.80	
	$T_c(^{\circ}C)$	56.1	17.02	106.1	26.11	
Analytical- Analytical	$\phi_1(mW)$	Eq (16)	-16.06	-24.73	-8.95	-11.82
		Eq (17)	-16.06	-24.74	-9.37	-12.58
	$\phi_2(mW)$	Eq (16)	16.06	28.81	23.77	41.72
		Eq (17)	16.06	28.81	22.75	40.96
	$T_c(^{\circ}C)$	Eq (16)	56.5	17.13	106.5	26.22
		Eq (17)	60.0	18.20	110.9	27.29

209

210 From the foregoing, it is clear that there is a good agreement between the numerical and analytical
 211 ‘uniform temperature’ approach, for both the heat transfer rates and interface temperatures.

212 **6.4. Configuration 2: Asperities of thickness $\delta_1 = \delta_2 = 0.5 \mu m$ without interstitial fluid:**

213 **6.4.1. Thermal resistances**

214 The thermal resistances values for Iron are reported below, in K/W . For copper, the resistances can
 215 be obtained by dividing the values below by 10 ($\lambda_{copper}/\lambda_{iron} = 10$).

R_m	R_a	R_c (Analytical calculations for a uniform heat flux)	R_c (Analytical calculations for a uniform temperature)	R_c (Numerical simulations)
1591.5	3978.8	5885	5445	5664.31

216 **6.4.2. Analytical-numerical comparison**

217 In this configuration, the temperature at $z = \delta_1$ is not uniform (see figure 13). This is also confirmed
 218 from the preceding values for the contact resistances where the numerical contact resistance is
 219 between the two analytical contact resistances.

220 The results are presented in table 3, there is a perfect analytical-numerical agreement by using the
 221 numerical constriction resistances in the analytical calculations. When using the analytical constriction
 222 resistances in the analytical calculations, the maximum relative deviation is less than 2%.

Table 3: Numerical and analytical comparison for configuration 2: Asperities of thickness $\delta_1 = \delta_2 = 0.5 \mu m$ without interstitial fluid

Method	Parameter	Case 1	Case 2	Case 3	Case 4	
		Iron-Iron	Iron-Copper	Iron-Iron	Iron-Copper	
Numerical	$\phi_1(mW)$	-10.00	-15.41	-5.55	-7.32	
	$\phi_2(mW)$	10.00	17.93	14.45	26.03	
	$T_c(^{\circ}C)$	56.17	17.03	106.2	26.12	
Numerical-Analytical	$\phi_1(mW)$	-10.00	-15.40	-5.55	-7.31	
	$\phi_2(mW)$	10.00	17.93	14.45	26.02	
	$T_c(^{\circ}C)$	56.16	17.02	106.1	26.11	
Analytical-Analytical	$\phi_1(mW)$	Eq (16)	-10.00	-15.40	-5.46	-7.15
		Eq (17)	-10.00	-15.40	-5.63	-7.46
	$\phi_2(mW)$	Eq (16)	10.00	17.93	14.54	26.18
		Eq (17)	10.00	17.93	14.36	25.86
	$T_c(^{\circ}C)$	Eq (16)	55.07	16.69	105.0	25.78
		Eq (17)	57.27	17.35	107.3	26.44

223

6.5. Configuration 3: Asperities of thickness $\delta_1 = \delta_2 = 0.5 \mu m$ with air as interstitial fluid

224

6.5.1. Thermal resistances

225

226 The thermal resistances values for Iron are reported below, in K/W . For copper, the resistances can
 227 be obtained by dividing the values below by 10 ($\lambda_{copper}/\lambda_{iron} = 10$).

R_m	R_a	R_f	R_c (Analytical calculations for a uniform heat flux)	R_c (Analytical calculations for a uniform temperature)	R_c Numerical simulations
1591.5	3978.8	128610	5885	5445	5664.31

228

6.5.2. Analytical-numerical comparison

229

230 Here, the analytical calculations are done using the superposition principle as shown in section 4.2 and
 231 represented in figure 11 with $\beta = 1/2$.

232 The results for this configuration are reported in table 4. There is a good analytical-numerical
 233 agreement. Taking the numerical results as a reference, the numerical-analytical and analytical-
 234 analytical methods have maximum deviations of less than 1% and 4% respectively.

Table 4: Numerical and analytical comparison for configuration 2: Asperities of thickness $\delta_1 = \delta_2 = 0.5 \mu m$ with air as interstitial fluid

Method	Parameter	Case 1	Case 2	Case 3	Case 4	
		Iron-Iron	Iron-Copper	Iron-Iron	Iron-Copper	
Numerical	$\phi_1(mW)$	-9.93	-15.19	-4.95	-6.59	
	$\phi_2(mW)$	9.93	18.00	14.91	26.59	
	$T_c(^{\circ}C)$	56.31	17.69	106.3	27.15	
Numerical-Analytical	$\phi_1(mW)$	-9.91	-15.26	-4.90	-6.60	
	$\phi_2(mW)$	9.91	17.76	14.92	26.42	
	$T_c(^{\circ}C)$	55.66	16.87	105.70	25.96	
Analytical-Analytical	$\phi_1(mW)$	Eq (16)	-9.91	-15.26	-4.81	-6.45
		Eq (17)	-9.91	-15.26	-4.98	-6.76
	$\phi_2(mW)$	Eq (16)	9.91	17.76	15.00	26.58
		Eq (17)	9.91	17.76	14.84	26.27
	$T_c(^{\circ}C)$	Eq (16)	54.57	16.54	104.6	25.63
		Eq (17)	56.75	17.20	106.7	26.29

235

236 7. Conclusion:

237 In this work, it was shown that it is possible to use the ‘contact resistance’ concept to describe solid-
 238 solid contact with heat sources. This is done by using the notion of heat transfer partition coefficient.
 239 For electrothermal problems, we demonstrated that the partition coefficient is a constant equal to $\frac{1}{2}$
 240 whatever the system’s geometrical configuration.

241 Numerical simulations were carried out for various thermal contact configurations with different cases.
 242 The excellent agreement between the numerical and analytical results demonstrates the validity of
 243 the proposed approach, which also allows to obtain the interface temperature using a simple thermal-
 244 electrical analogy. The deviation between Numerical and analytical results comes mainly from the
 245 calculation of the constriction resistances.

246 Nomenclature

247 *Latin symbols*

T	Temperature, K
Q	Rate of heat generation, W
S	Surface, m^2
R	Thermal resistance, K/W
V	Volume, m^3
s	Curvilinear coordinate, m
g	Volumetric heat generation rate, W/m^3
e	Wall thickness, m
U	Electrical potential, V

248 *Greek symbols*

ϕ	Heat transfer rate, W
λ	Thermal conductivity, $W/(m K)$
ρ_e	Electrical resistivity, Ωm
β	Partition coefficient
α	heat generation factor
ϕ_g	the total rate of heat generation (W)

<i>in</i>	inlet
<i>out</i>	outlet
<i>i</i>	internal
<i>e</i>	external
<i>m</i>	medium
<i>a</i>	asperity
<i>f</i>	fluid

250

251 **Appendix 1:**

252 To demonstrate that $A = C$ and $B = D$ (see figure 5), we only need to consider the hypothesis of a
 253 fully developed constriction, i.e. the heat flux in l_2 and l_1 is uniform (l_1 and l_2 are sufficiently larger
 254 than b). With reference to figure 5, we can write:

255
$$T_1 - A = R_{m1i}\phi_i = R_{m1i}\phi_i S_i = \frac{l_1}{\lambda_1 S_i} \phi_i S_i = \frac{l_1}{\lambda_1} \phi_i$$

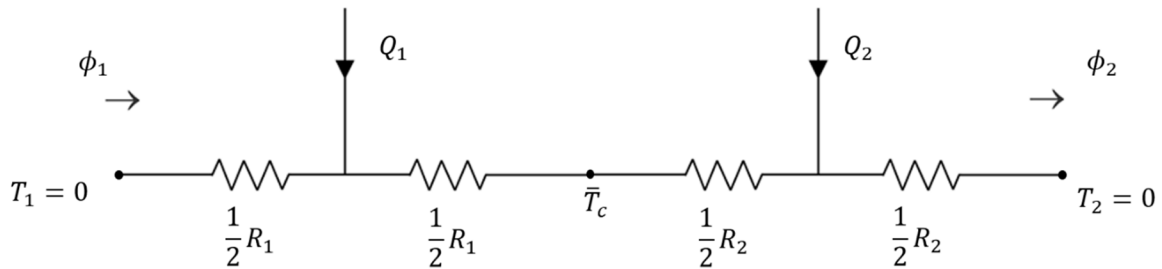
256
$$T_1 - C = R_{m1e}\phi_e = R_{m1e}\phi_e S_e = \frac{l_1}{\lambda_1 S_e} \phi_e S_e = \frac{l_1}{\lambda_1} \phi_e$$

257 Or $\phi_i = \phi_e$ (uniform heat flux)

258 Therefore $A = C$. In a similar manner, we can demonstrate that $B = D$.

259 **Appendix 2:**

260 **I. Calculations of the heat transfer rates and the interface temperature ($T_1 = T_2 = 0$ with**
 261 **heat source)**



262

263
$$\phi_1 = -Q_1 \frac{R_1 + 2R_2}{2(R_1 + R_2)} - Q_2 \frac{R_2}{2(R_1 + R_2)}$$

264
$$\phi_2 = Q_1 \frac{R_1}{2(R_1 + R_2)} + Q_2 \frac{2R_1 + R_2}{2(R_1 + R_2)}$$

265
$$Q_1 = \frac{R_1^e}{R_1^e + R_2^e} Q \quad \text{and} \quad Q_2 = \frac{R_2^e}{R_1^e + R_2^e} Q$$

266 The superscript e stands for electrical resistance. Knowing that

267
$$R_1^e = \rho_1 \lambda_1 R_1$$

268 And

269 $R_2^e = \rho_2 \lambda_2 R_2$

270 Substituting and rearranging we obtain the heat transfer rates:

271
$$\phi_1 = -\frac{Q}{2} \left[\frac{\rho_1 \lambda_1 R_1^2 + \rho_2 \lambda_2 R_2^2 + 2\rho_1 \lambda_1 R_1 R_2}{(R_1 + R_2)(\rho_1 \lambda_1 R_1 + \rho_2 \lambda_2 R_2)} \right]$$

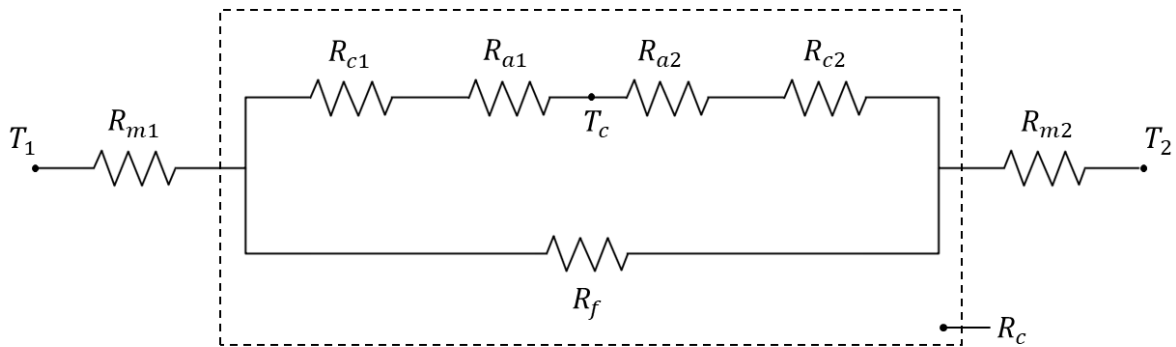
272
$$\phi_1 = \frac{Q}{2} \left[\frac{\rho_1 \lambda_1 R_1^2 + \rho_2 \lambda_2 R_2^2 + 2\rho_2 \lambda_2 R_1 R_2}{(R_1 + R_2)(\rho_1 \lambda_1 R_1 + \rho_2 \lambda_2 R_2)} \right]$$

273 And the interface temperature

274
$$T_c = \frac{R_1 R_2 (Q_1 + Q_2)}{2(R_1 + R_2)} = \frac{Q}{2 \left(\frac{1}{R_1} + \frac{1}{R_2} \right)}$$

275 In the last expression, we can see that the interface temperature depends only on the rate of heat
276 generation

277 **II. Calculations of the heat transfer rates and the interface temperature ($T_1 \neq T_2$ without heat
278 source)**



279

280
$$\phi = \frac{T_1 - T_2}{R_T} = \frac{\Delta T}{R_T}$$

281 With

282
$$R_T = R_{m1} + R_{m2} + \frac{(R_{c1} + R_{a1} + R_{c2} + R_{a2})R_f}{R_{c1} + R_{a1} + R_{c2} + R_{a2} + R_f}$$

283 We can also write

284
$$T_c = \frac{\Delta T}{R_T} \left[R_{m2} + \frac{(R_{c2} + R_{a2})R_f}{R_{c1} + R_{a1} + R_{c2} + R_{a2} + R_f} \right]$$

285 In the case where medium 1 and medium 2 have identical geometrical parameters:

286
$$R_{m1} = \frac{K}{\lambda_1} \quad , \quad R_{m2} = \frac{K}{\lambda_2}$$

287
$$R_{c1} + R_{a1} = \frac{K'}{\lambda_1} \quad , \quad R_{c2} + R_{a2} = \frac{K'}{\lambda_2}$$

288 Let's consider $R_u = R_{c1} + R_{a1} + R_{c2} + R_{a2} + R_f$

289 Therefore

$$290 \quad R_T = (R_{m1} + R_{m2}) \left[1 + \frac{\frac{R_{c1} + R_{a1} + R_{c2} + R_{a2}}{R_{m1} + R_{m2}} R_f}{R_u} \right]$$

291 And

$$292 \quad T_c = \Delta T \frac{R_{m2}}{R_{m1} + R_{m2}} \left[\frac{1 + \frac{\frac{R_{c2} + R_{a2}}{R_{m2}} R_f}{R_u}}{\frac{R_{c1} + R_{a1} + R_{c2} + R_{a2}}{R_{m1} + R_{m2}} R_f} \right]$$

293 With

$$294 \quad \frac{R_{c2} + R_{a2}}{R_{m2}} = \frac{K'}{\lambda_2} \cdot \frac{\lambda_2}{K} = \frac{K'}{K}$$

295 And

$$296 \quad \frac{R_{c1} + R_{a1} + R_{c2} + R_{a2}}{R_{m1} + R_{m2}} = \frac{\frac{K'}{\lambda_1} + \frac{K'}{\lambda_2}}{\frac{K}{\lambda_1} + \frac{K}{\lambda_2}} = \frac{K'}{K}$$

297 Thus

$$298 \quad T_c = \Delta T \frac{R_{m2}}{R_{m1} + R_{m2}} \left[\frac{1 + \frac{K' R_f}{K R_u}}{1 + \frac{K' R_f}{K R_u}} \right]$$

$$299 \quad T_c = \Delta T \frac{R_{m2}}{R_{m1} + R_{m2}}$$

300 In the last expression, we can see that the interface temperature does not depend on R_f (fluid
301 resistance).

302 References

- 303 1. Kato, T., & Fujii, H. (1999). Energy partition in conventional surface grinding. *Journal of*
304 *Manufacturing Science and Engineering*, 121(3), 393-398.
- 305 2. Chandraseker, S., Farris, T. N., Hebbbar, R. R., & Hucker, S. (1994). Thermal aspects of surface
306 finishing processes. *ASM International, Member/Customer Service Center, Materials Park, OH*
307 *44073-0002, USA, 1994.*, 152-157.
- 308 3. Grzesik, W. (1998). The role of coatings in controlling the cutting process when turning with coated
309 indexable inserts. *Journal of Materials Processing Technology*, 79(1-3), 133-143.
- 310 4. Grzesik, W., & Nieslony, P. (2003). A computational approach to evaluate temperature and heat
311 partition in machining with multilayer coated tools. *International Journal of Machine Tools and*
312 *Manufacture*, 43(13), 1311-1317.
- 313 5. Kulchitsky-Zhyhailo, R., & Yevtushenko, A. (1998). Axi-symmetric contact problem with frictional
314 heating for thermally nonlinear sliders. *International journal of mechanical sciences*, 40(11), 1133-
315 1143.

- 316 6. Kulchytsky-Zhyhailo, R. (2001). A simplified solution for three-dimensional contact problem with
317 heat generation. *International journal of engineering science*, 39(3), 303-315.
- 318 7. Pauk, V., & Yevtushenko, A. (1997). Periodical contact problems for a half-space involving frictional
319 heating. *International journal of mechanical sciences*, 39(1), 87-95.
- 320 8. Pauk, V. J. (1999). Plane contact problem for a layer involving frictional heating. *International*
321 *journal of heat and mass transfer*, 42(14), 2583-2589.
- 322 9. Grylitsky, D. V., & Pauk, V. J. (1995). Some quasistationary contact problems for half-space
323 involving heat generation and radiation. *International journal of engineering science*, 33(12), 1773-
324 1781.
- 325 10. Yevtushenko, A. A., & Kulchytsky-Zhyhailo, R. D. (1995). Axi-symmetrical transient contact problem
326 for sliding bodies with heat generation. *International journal of solids and structures*, 32(16), 2369-
327 2376.
- 328 11. Mazo, L., Cassagne, B., Badie-Levet, D., & Bardon, J. P. (1978). Etude des conditions de liaison
329 thermique dans le cas du frottement sec métal-plastique. *Rev. Gén. Therm*, 204, 919-933.
- 330 12. Kulchytsky-Zhyhailo, R. D., & Yevtushenko, A. A. (1997). Thermoelastic contact problems with
331 frictional heating and convective cooling. *International journal of engineering science*, 35(3), 211-
332 219.
- 333 13. Komanduri, R., & Hou, Z. B. (2001). Analysis of heat partition and temperature distribution in
334 sliding systems. *Wear*, 251(1-12), 925-938.
- 335 14. Komanduri, R., & Hou, Z. B. (2001). Thermal analysis of dry sleeve bearings—a comparison
336 between analytical, numerical (finite element) and experimental results. *Tribology*
337 *International*, 34(3), 145-160.
- 338 15. Barber, J. R. (1967). Distribution of heat between sliding surfaces. *Journal of Mechanical*
339 *Engineering Science*, 9(5), 351-354.
- 340 16. Kounas, P. S., Dimarogonas, A. D., & Sandor, G. N. (1972). The distribution of friction heat between
341 a stationary pin and a rotating cylinder. *Wear*, 19(4), 415-424.
- 342 17. Levytskyi, V. P., & Onyshkevych, V. M. (1996). Plane contact problem with heat generation account
343 of friction. *International journal of engineering science*, 34(1), 101-112.
- 344 18. Ciavarella, M., Johansson, L., Afferrante, L., Klarbring, A., & Barber, J. R. (2003). Interaction of
345 thermal contact resistance and frictional heating in thermoelastic instability. *International Journal*
346 *of Solids and Structures*, 40(21), 5583-5597.
- 347 19. Bardon, J. P. (1994). Bases physiques des conditions de contact thermique imparfait entre milieux
348 en glissement relatif. *Revue générale de thermique*, 33(386).
- 349 20. Chantrenne, P., & Raynaud, M. (1997). A microscopic thermal model for dry sliding
350 contact. *International journal of heat and mass transfer*, 40(5), 1083-1094.
- 351 21. Bauzin, J. G., & Laraqi, N. (2004). Simultaneous estimation of frictional heat flux and two thermal
352 contact parameters for sliding contacts. *Numerical Heat Transfer, Part A: Applications*, 45(4), 313-
353 328.
- 354 22. Laraqi, N. (1992). Contact temperature and flux partition-coefficient of heat generated by dry friction
355 between 2 solids-new approach to flux generation. *International Journal of Heat and Mass*
356 *Transfer*, 35(11), 3131-3139.
- 357 23. Guillot, E., Bourouga, B., Garnier, B., & Dubar, L. (2007, April). Experimental study of thermal sliding
358 contact with friction: application to high speed machining of metallic materials. In *AIP Conference*
359 *Proceedings* (Vol. 907, No. 1, pp. 1263-1268). AIP.
- 360 24. Chantrenne, P., & Raynaud, M. (2001). Study of a macroscopic sliding contact thermal model from
361 microscopic models. *International journal of thermal sciences*, 40(7), 603-621.
- 362 25. Han, Z., Orozco, J., Indacochea, J. E., & Chen, C. H. (1989). Resistance spot welding: a heat transfer
363 study. *Welding journal*, 68(9), 363s-371s.

- 364 26. Cho, H. S., & Cho, Y. J. (1989). A study of the thermal behavior in resistance spot welds. *Welding*
365 *Journal*, 68(6), 236s-244s.
- 366 27. Khan, J. A., Xu, L., Chao, Y. J., & Broach, K. (2000). Numerical simulation of resistance spot welding
367 process. *Numerical Heat Transfer: Part A: Applications*, 37(5), 425-446.
- 368 28. Wang, S. C., & Wei, P. S. (2001). Modeling dynamic electrical resistance during resistance spot
369 welding. *Journal of heat transfer*, 123(3), 576-585.
- 370 29. Le Meur, G., Bourouga, B., & Dupuy, T. (2003). Measurement of contact parameters at
371 electrode/sheet interface during resistance spot welding process. *Science and technology of*
372 *welding and joining*, 8(6), 415-422.
- 373 30. Le Meur, G., Bourouga, B., & Bardon, J. P. (2006). Microscopic analysis of interfacial electrothermal
374 phenomena—definition of a heat generation factor. *International journal of heat and mass*
375 *transfer*, 49(1-2), 387-401.
- 376 31. Feulvarch, E., Robin, V., & Bergheau, J. M. (2004). Resistance spot welding simulation: a general
377 finite element formulation of electrothermal contact conditions. *Journal of Materials Processing*
378 *Technology*, 153, 436-441.
- 379 32. Rogeon, P., Carre, P., Costa, J., Sibilia, G., & Saindrenan, G. (2008). Characterization of electrical
380 contact conditions in spot welding assemblies. *Journal of Materials Processing Technology*, 195(1-
381 3), 117-124.
- 382 33. Rogeon, P., Raelison, R., Carre, P., & Dechalotte, F. (2009). A microscopic approach to determine
383 electrothermal contact conditions during resistance spot welding process. *Journal of Heat*
384 *Transfer*, 131(2), 022101.
- 385 34. Degiovanni, A. G. M. L. A., Sinicki, G., Gery, A., & Laurent, M. (1984). Un modèle de résistance
386 thermique de contact en régime permanent. *Revue générale de thermique*, 23(267), 161-175.
- 387 35. Degiovanni, A., & Moyne, C. (1989). Résistance thermique de contact en régime permanent:
388 influence de la géométrie de contact. *Revue générale de thermique*, 28(334), 557-564.
- 389 36. Degiovanni, A., Remy, B., & Andre, S. (2003). Thermal resistance of a multi-constrictions contact:
390 A simple model. *International journal of heat and mass transfer*, 46(19), 3727-3735.
- 391 37. El Maakoul, A., Moyne, C., & Degiovanni, A. (2019). A general approach to solve heat conduction
392 problems with internal heat sources using resistance and quadrupole concepts. *International*
393 *Journal of Heat and Mass Transfer*, 129, 793-800.
- 394 38. Maillet, D. (2000). Thermal quadrupoles: solving the heat equation through integral transforms.
395 John Wiley & Sons Inc.